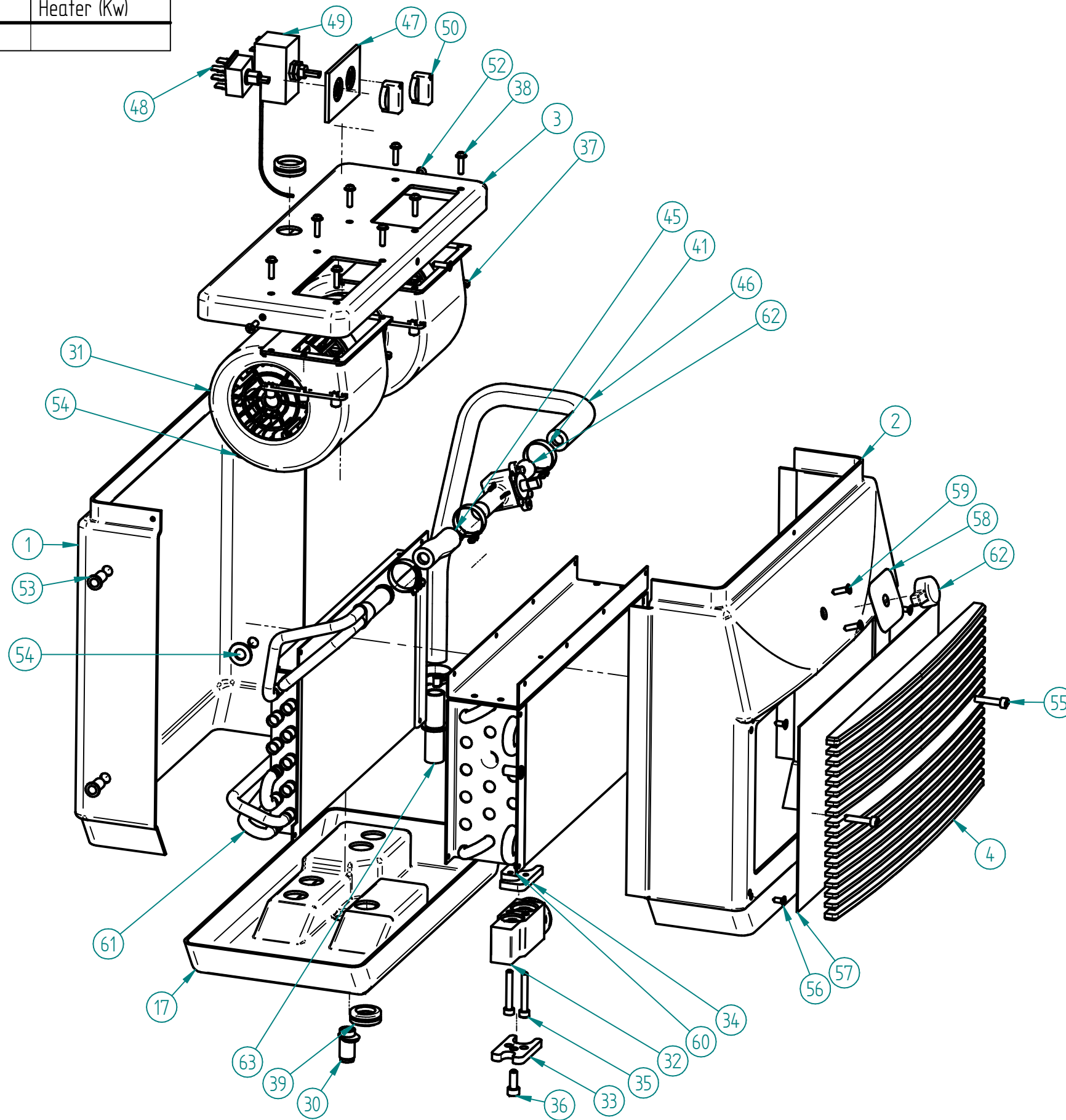


Cooling (Kw)	Heater (Kw)



Item	Titolo	Numero documento	Q.
1	ABS Plastic	N04400164	1
2	ABS Plastic	N04400164	1
3	ABS Plastic	N04400164	1
4	Grid Filter	N04410065	1
17	ABS Plastic	N04400164	1
30	plastic connection	U04120005	1
31	Centrifugal Blowers - 24 V	V02240010	1
32	Expansion Valve 2 TON	F02060001	1
33	Bracket / Flangia TVX - Hose	F02060003	1
34	Bracket / Flangia TVX - Evaporator	F02060002	1
35	Screw M5x35mm for Expansion Valve	-	2
36	Screw TCEI M6x16mm	S04800045	1
37	plastic bracket for fan motor	U04120059	4
38	Screw for Plastic Fx Type	S04800044	8
39	Cable Rubber Ring d.21mm	U04120003	2
40	Wiring	X04510108	1
41	Clamp	U04120015	4
45	Water Hose	T01110004	1
46	Water Hose	T01110004	1
47	Decal - Air speed and temperature	P02140060	1
48	Rotary Switch 3 speed	P02140001	1
49	Thermostat L.620mm	P02140003-2	1
50	Knob	P02140035	2
52	Screw 3,9x16	S04800157	3
53	inserto M6	S04800019/1	4
54	Flat Washer	S04800158	4
55	Screw M5x35mm for Expansion Valve	-	2
56	Screw	S04800009	4
57	Air filter	G02070071	1
58	Decal	ETC000063	1
59	Screw	S04800073	2
60	Evaporator	B02180078	1
61	Heater	B02170061	1
62	Water Valve D.16	P02150007	1
63	Water Connector D.16	T01110025	1

REVISION HISTORY

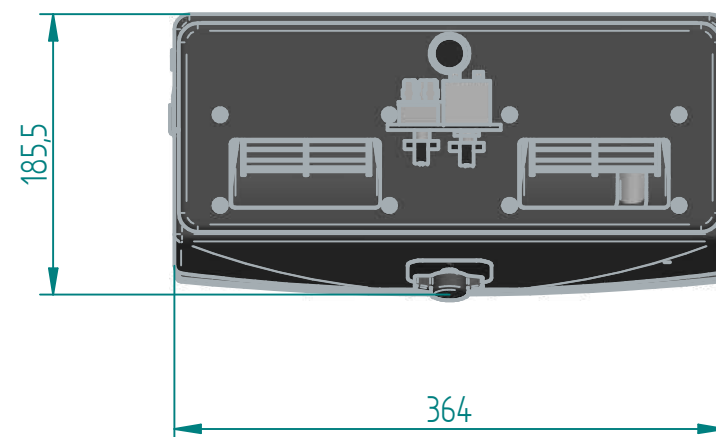
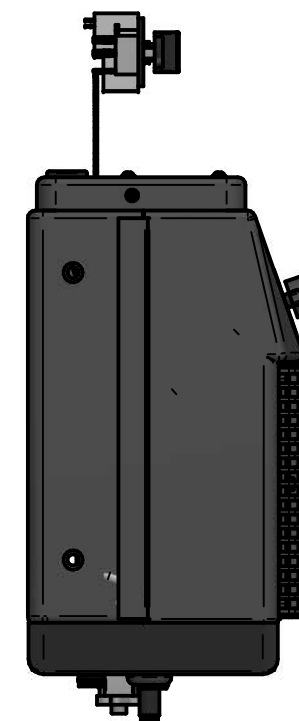
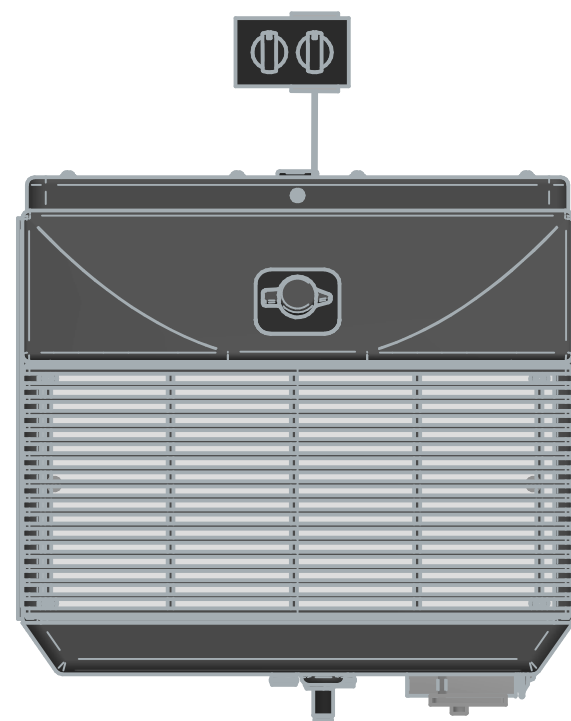
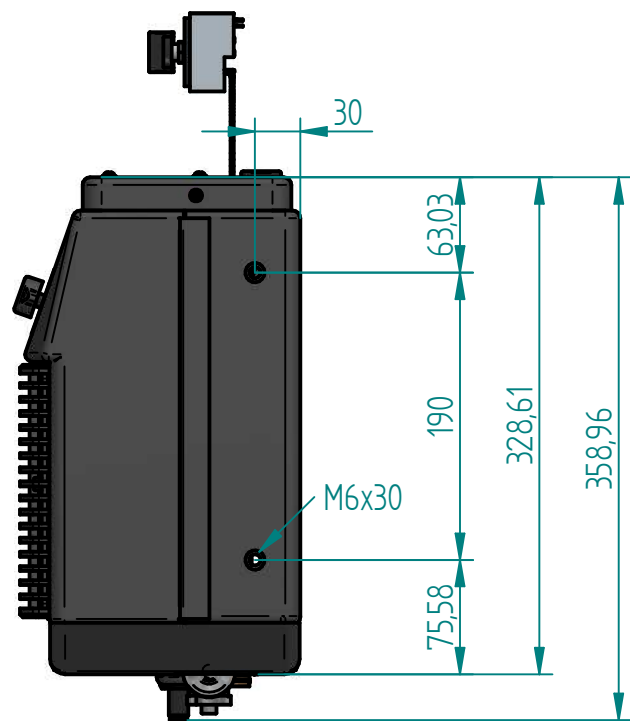
REV	DESCRIPTION	DATE	APPROVED
1	corretto parti esplose	17-02-2014	F.Scarabelli



S.E.A.srl via.L.Lama n°.8 Russi (RA)
48026 ITALIA

DESCRIZIONE / DESCRIPTION				TYPE
Vertical ABS - 24v				
DISEGNATORE / DESIGNER F.Scarabelli	N° DISEGNO / DRAWING N° A0CF014ES	DATA / DATE 19/02/2014	FOGLIO / SHEET 1 OF 2	REV. 1

Il presente disegno è di nostra proprietà. Si fa divieto a chiunque di riprodurlo, utilizzarlo o renderlo noto a terzi senza la nostra autorizzazione.
The drawing remains property of S.E.A.srl Without our explicit authorization it is strictly forbidden to copy it, to use it or make its contents known to others.



REVISION HISTORY

REV	DESCRIPTION	DATE	APPROVED
1	corretto parti esplose	17-02-2014	F.Scarabelli



S.E.A.srl via.L.Lama n°.8 Russi (RA)
48026 ITALIA

DESCRIZIONE / DESCRIPTION				TYPE
Vertical ABS - 24v				
DISEGNATORE / DESIGNER	N° DISEGNO / DRAWING N°	DATA / DATE	FOGLIO / SHEET	REV.
F.Scarabelli	A0CF014ES	19/02/2014	2 OF 2	1

Il presente disegno è di nostra proprietà. Si fa divieto a chiunque di riprodurlo, utilizzarlo o renderlo noto a terzi senza la nostra autorizzazione.
The drawing remains property of S.E.A.srl Without our explicit authorization it is strictly forbidden to copy it, to use it or make its contents known to others.