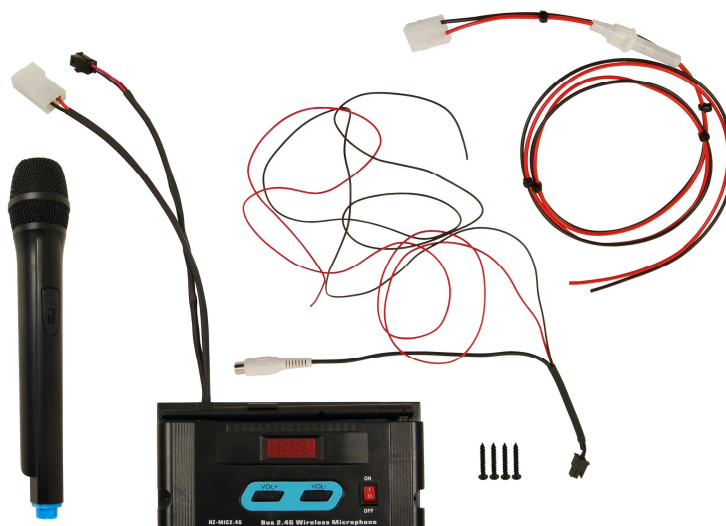


2.4G Bus Wireless Microphone



1. SAFETY NOTICE

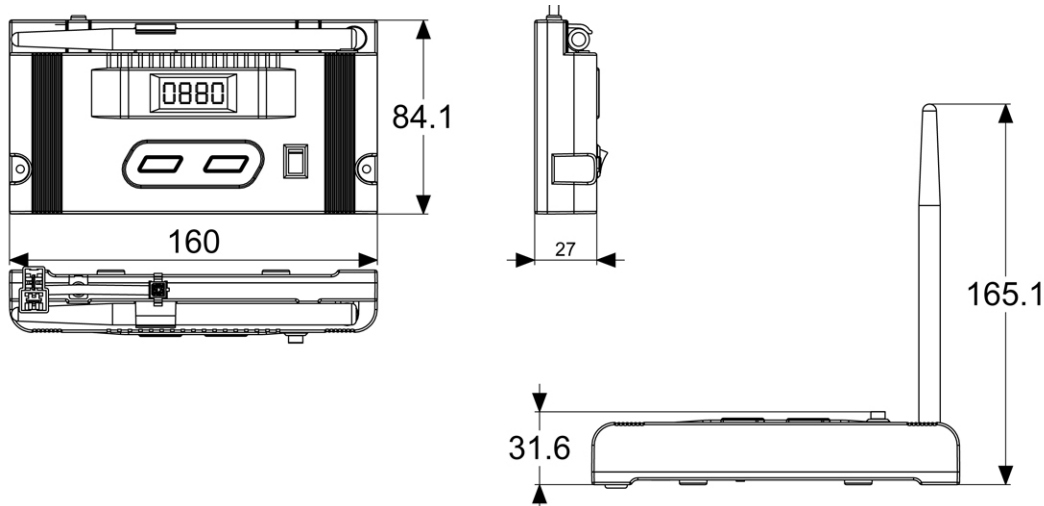


Note: washing vehicles, water intrusion will not be among the machines

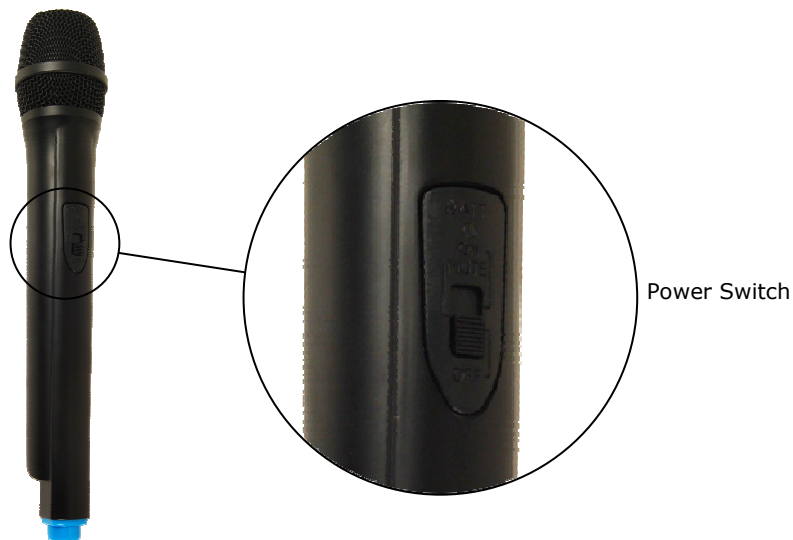


Note: installation, maintenance, must be professional to operate

2. WIRELESS MICROPHONE RECEIVER



3. WIRELESS MICROPHONE



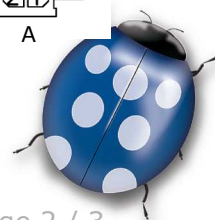
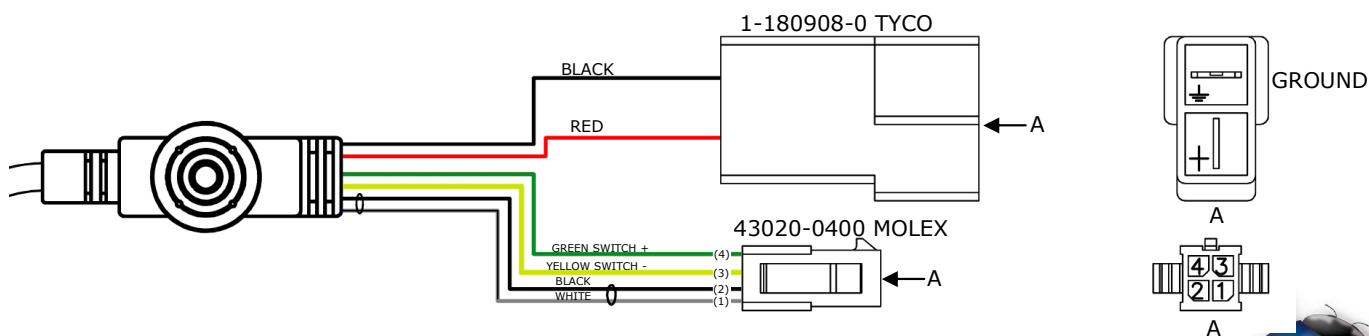
4. USER'S HELP

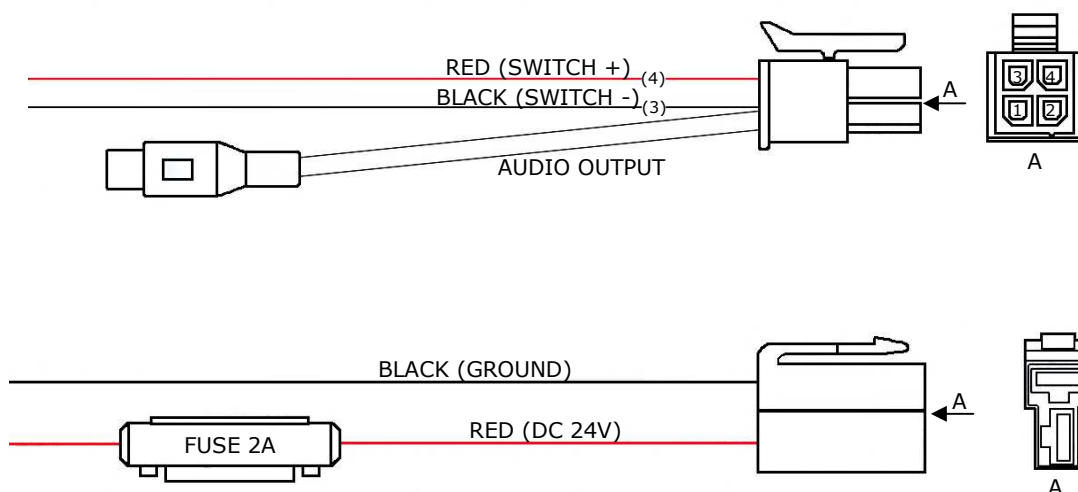
Use of the product, the first open wireless MIC receiver within three meters away from the microphone, MIC with MIC receiver signal connections, and can be used in the range of 15m.

If there is no connection within three meters, three meters away from open wireless microphone will not be able to receive signals, and can not be used normally.

Adjust the volume of MIC is on the MIC receiver VOL + (volume +), VOL - (volume -) button to adjust the volume size.

5. WIRING INSTRUCTIONS

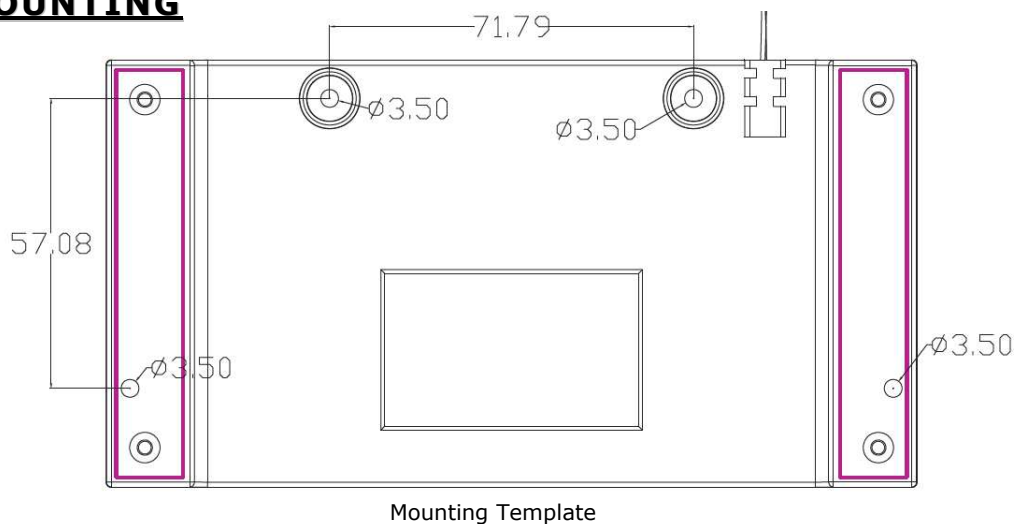




6. SPECIFICATION

- Working frequency: 2.4G
- Working voltage: 11V ~ 30V DC
- Working current: <30mA
- Transmission distance: 15m

7. MOUNTING



8. OPTION

Extention cabling (connectors Molex):

- 500mm: 028-FUBS198-00500
1000mm: 028-FUBS198-01000

