

Bock Compressor FK40

Assembly instructions

FK40/390 N	FK40/470 N	FK40/560 N	FK40/655 N
FK40/390 K	FK40/470 K	FK40/560 K	FK40/655 K
FK40/390 TK	FK40/470 TK	FK40/560 TK	FK40/655 TK
FKX40/390 N	FKX40/470 N	FKX40/560 N	FKX40/655 N
FKX40/390 K	FKX40/470 K	FKX40/560 K	FKX40/655 K
FKX40/390 TK	FKX40/470 TK	FKX40/560 TK	FKX40/655 TK

About these instructions

Read these instructions before assembly and before using the compressor. This will avoid misunderstandings and prevent damage. Improper assembly and use of the compressor can lead to serious or fatal injury.

Observe the safety instructions contained in these instructions.

These instructions must be passed onto the end customer along with the unit in which the compressor is installed.

Manufacturer

GEA Bock GmbH
72636 Frickenhausen

Contact

GEA Bock GmbH
Benzstraße 7
72636 Frickenhausen
Germany

Telephone +49 7022 9454 0

Fax +49 7022 9454-137

bock@gea.com

www.bock.de

GB

Contents






Page

1	Safety	4
1.1	Identification of safety instructions	
1.2	Qualifications required of personnel	
1.3	General safety instructions	
1.4	Intended use	
2	Product description	6
2.1	Brief description	
2.2	Name plate	
2.3	Type key	
3	Areas of application	8
3.1	Refrigerants	
3.2	Oil charge	
3.3	Limits of application	
3.4	N and K versions	
3.4.1	Limits of application R134a	
3.4.2	Limits of application R407C	
3.5	TK version	
3.5.1	Limits of application R404A/R507	
3.5.2	Limits of application R22	
4	Compressor assembly	11
4.1	Setting up	
4.2	Maximum permissible inclination	
4.3	V-belt drive	
4.4	Main bearing load	
4.5	Electromagnetic coupling assembly	
4.6	Pipe connections	
4.7	Pipes	
4.8	Operating the shut-off valves	
4.9	Operating mode of the lockable service connections	
5	Commissioning	15
5.1	Preparations for start-up	
5.2	Pressure strength test	
5.3	Leak test	
5.4	Evacuation	
5.5	Refrigerant charge	
5.6	Oil level check	
5.7	Shaft seal	
5.8	Shaft seal, emptying the oil reservoir	
5.9	Avoiding liquid shocks	
6	Maintenance	18
6.1	Preparation	
6.2	Work to be carried out	
6.3	Recommended spare parts	
6.4	Integrated decompression valve	
6.5	Extract from the lubricants table	
6.6	Decommissioning	
7	Accessories	20
7.1	Capacity regulator	
7.2	Thermal protection thermostat	
8	Technical data	21
9	Dimensions and connections	22
10	Installation certificate	24
11	Service	25

GB


1| Safety

1.1 Identification of safety instructions:



	DANGER!	Indicates a dangerous situation which, if not avoided, will cause immediate fatal or serious injury.
	WARNING!	Indicates a dangerous situation which, if not avoided, may cause fatal or serious injury.
	CAUTION!	Indicates a dangerous situation which, if not avoided, may cause fairly severe or minor injury.
	ATTENTION!	Indicates a situation which, if not avoided, may cause property damage.
	INFO!	Important information or tips on simplifying work.

GB

1.2 Qualifications required of personnel

	WARNING!	<p>Inadequately qualified personnel poses the risk of accidents, the consequence being serious or fatal injury. Work on compressors is therefore reserved for personnel with the qualifications listed below:</p> <ul style="list-style-type: none">• For example, a refrigeration technician, refrigeration mechatronic engineer. <p>As well as professions with comparable training, which enables personnel to assemble, install, maintain and repair refrigeration and air-conditioning systems. Personnel must be capable of assessing the work to be carried out and recognising any potential dangers.</p>
---	-----------------	---

1.3 General safety instructions

	DANGER!	<ul style="list-style-type: none">• Refrigerating compressors are pressurised machines and as such call for heightened caution and care in handling. The maximum permissible overpressure must not be exceeded, even for testing purposes.
	WARNING!	<ul style="list-style-type: none">• Risk of burns! Depending on the operating conditions, surface temperatures of over 60°C on the discharge side or below 0°C on the suction side can be reached.

1| Safety

1.4 Intended use

These assembly instructions describe the standard version of the FK40 manufactured by Bock. The compressor is intended for use in refrigeration systems in compliance with the operating limits. Only the refrigerant specified in these instructions may be used. **Any other use of the compressor is prohibited!**

The Bock refrigerating compressor named in the title is intended for installation in a machine (within the EU according to the EU Directives 2006/42/EC Machinery Directive, 97/23/EC Pressure Equipment Directive).

Commissioning is permissible only if the compressor has been installed in accordance with these assembly instructions and the entire system into which it is integrated has been inspected and approved in accordance with legal regulations.

2| Product description

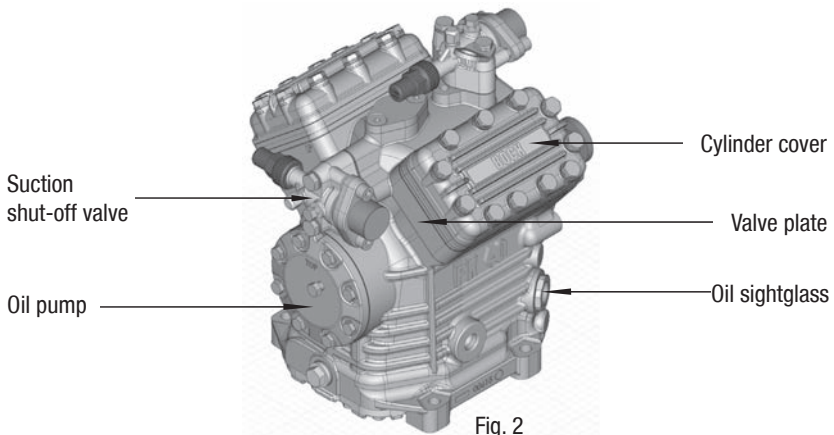
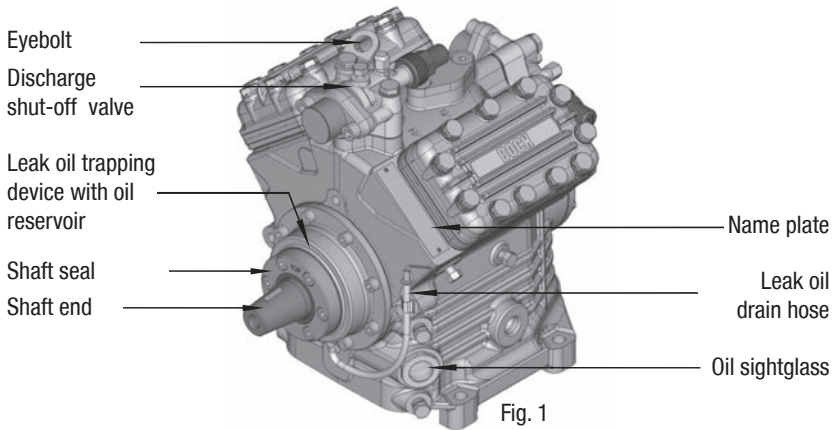
2.1 Brief description

Three different designs are available for various ranges of application:

- > for air-conditioning **the K Design**
- > for air-conditioning or normal cooling **the N Design**
- > for deep freezing **the TK Design**

The differences lie mainly in the valve plate tooling which is adapted to each application range where operational safety and efficiency are concerned.

- Compact four cylinder compressor in V design.
- Four capacity ranges.
- Lightweight aluminum design.
- Lubricating oil pump with oil pressure relief valve independent of rotational direction.
- Variable arrangement of the shut-off valves.



Dimension and connection values can be found in Chapter 9

2| Product description

2.2 Name plate (example)

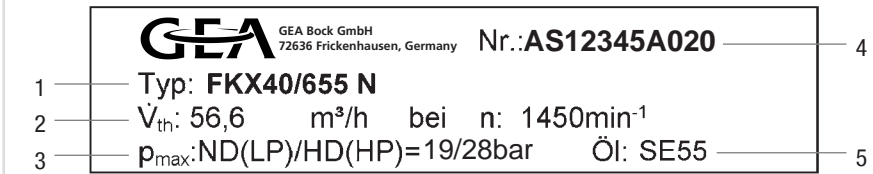

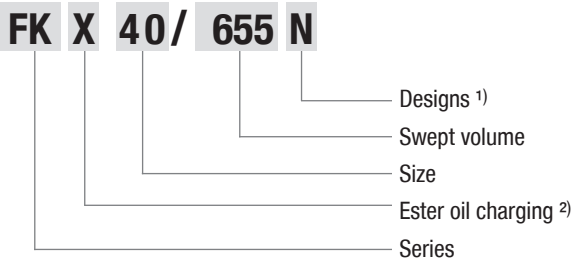


Fig. 3

1	Type designation	4	Machine number
2	Displacement at 1450 rpm	5	Factory-filled oil type
3	LP: Max. permissible operating pressure (g) Low pressure side HP: Max. permissible operating pressure (g) High pressure side	 Observe the limits of application diagrams!	

2.3 Type key (example)



- 1) K - specially for air-conditioning
- N - specially for air-conditioning or normal cooling
- TK - specially for deep freezing
- 2) X - Ester oil charging (HFC refrigerant, e.g. R134a, R407C)

3| Areas of application

3.1 Refrigerants

- HFKW / HFC: R134a, R404A/R507, R407C
- (H)FCKW / (H)CFC: R22

3.2 Oil charge

- The compressors are factory-filled with the following oil type:
 - for R134a, R404A/R507, R407C FUCHS Reniso Triton SE 55
 - for R22 FUCHS Reniso SP 46

Compressors with ester oil charge (FUCHS Reniso Triton SE 55) are marked with an X in the type designation (e.g. FKX40/655 N).



INFO!

For recharging, we recommend the above oil types. Alternatives are: see lubricants table, Chapter 6.5.

3.3 Limits of application



- ATTENTION!**
- Compressor operation is possible within the limits of application shown in the diagrams. Please note the significance of the shaded areas. The limits of application must be observed. Thresholds should not be selected as design or continuous operating points.
 - Max. permissible discharge end temperature: 140°C
 - Max. permissible ambient temperature: 100°C
 - Max. permissible switching frequency: 12 x /h
 - A minimum running time of 2 min. at equilibrium (continuous operation) must be achieved.
 - Avoid continuous operation near the threshold. Should the compressor happen to be used near the thresholds, we recommend the use of a thermal protection thermostat (Accessories, Chap. 7).
 - When capacity regulators are used, the limits of application can move.
 - When operating in the vacuum range, there is a danger of air entering on the suction side. This can cause chemical reactions, a pressure rise in the condenser and an elevated compressed-gas temperature. Prevent the ingress of air at all costs!

3| Areas of application

3.4 N and K versions

Models available:

- FKX40/390 N • FKX40/470 N • FKX40/560 N • FKX40/655 N
- FKX40/390 K • FKX40/470 K • FKX40/560 K • FKX40/655 K

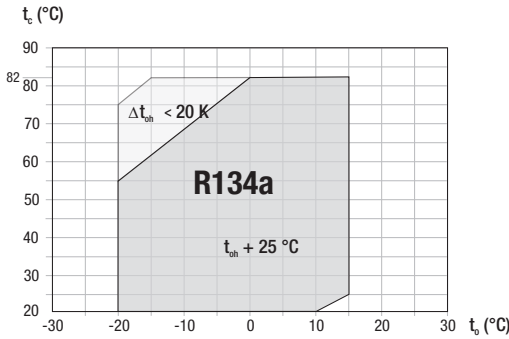
3.4.1 Limits of application R134a (N and K versions)

Permissible rotation speeds:

N Design: 500 - 3000 1/rpm (max rotation speed 3500 rpm)

K Design: 500 - 3500 1/rpm

Max. permissible operating pressure (g) on the high-pressure side (HP): 28 bar



- Unrestricted application range
- reduced suction gas temperature

t_o Evaporating temperature (°C)

t_c Condensing temperature (°C)

Δt_{oh} Suction gas superheat (K)

t_{oh} Suction gas temperature (°C)

GB

Fig. 4

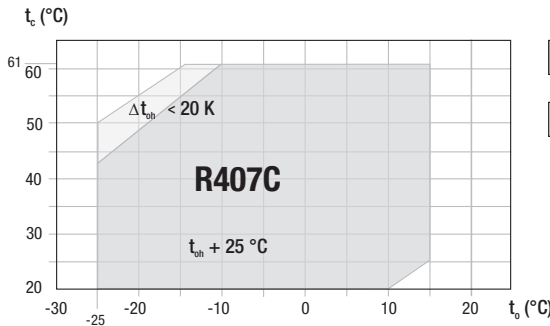
3.4.2 Limits of application R407C (N and K versions)

Permissible rotation speeds:

N Design: 500 - 2600 1/rpm

K Design: 500 - 3500 1/rpm

Max. permissible operating pressure (g) on the high-pressure side (HP): 28 bar



- Unrestricted application range
- reduced suction gas temperature

t_o Evaporating temperature (°C)

t_c Condensing temperature (°C)

Δt_{oh} Suction gas superheat (K)

t_{oh} Suction gas temperature (°C)

Fig. 5

Design for other ranges on request

3| Areas of application

3.5 TK version

Models available:

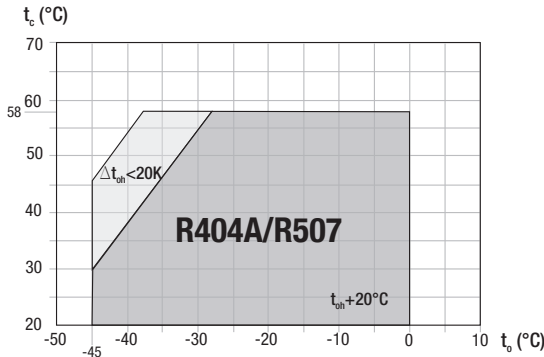
- FK40/390 TK • FK40/470 TK • FK40/560 TK • FK40/655 TK
- FKX40/390 TK • FKX40/470 TK • FKX40/560 TK • FKX40/655 TK

3.5.1 Limits of application R404A/R507 (TK version)

Permissible rotation speeds:

TK design: 500 - 2600 1/rpm

Max. permissible operating pressure (g) on the high-pressure side (HP): 28 bar



- Unrestricted application range
- reduced suction gas temperature

- t_o Evaporating temperature (°C)
- t_c Condensing temperature (°C)
- Δt_{oh} Suction gas superheat (K)
- t_{oh} Suction gas temperature (°C)

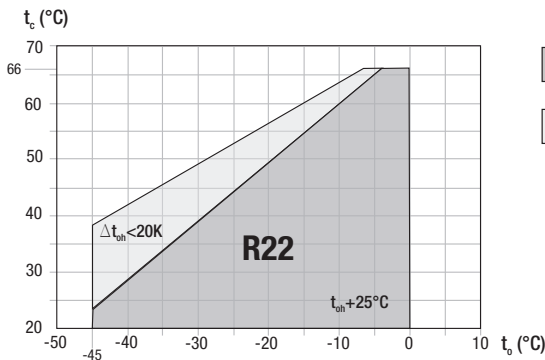
Fig. 6

3.5.2 Limits of application R22 (TK version)

Permissible rotation speeds:

TK design: 500 - 2600 1/rpm

Max. permissible operating pressure (g) on the high-pressure side (HP): 28 bar



- Unrestricted application range
- reduced suction gas temperature

- t_o Evaporating temperature (°C)
- t_c Condensing temperature (°C)
- Δt_{oh} Suction gas superheat (K)
- t_{oh} Suction gas temperature (°C)

Fig. 7

Design for other ranges on request

4| Compressor assembly



INFO! New compressors are factory-filled with inert gas (3 bar nitrogen). Leave this service charge in the compressor for as long as possible and prevent the ingress of air. Check the compressor for transport damage before starting any work.

4.1 Setting up



WARNING! Move compressors only with hoists that have adequate load-bearing capacity.

- Transport and suspension unit on the eyebolt (Fig. 8) or direct on the discharge line valve (Fig. 9).

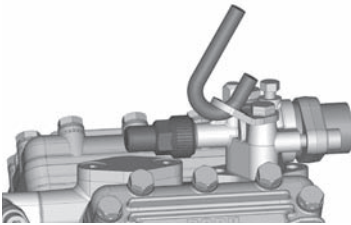


Fig. 8

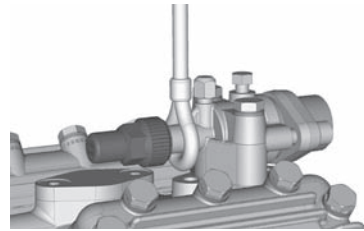


Fig. 9

- Fittings (e.g. pipe holders, additional units etc.) on the compressor are permissible only following consultation with Bock.
- Setup on an even surface or frame with sufficient load-bearing capacity. Use all 4 fastening points.
- Correct setup of the compressor and mounting of the belt drive are decisive for running comfort, operating safety and the service life of the compressor.

4.2 Maximum permissible inclination



ATTENTION! Poor lubrication can damage the compressor. Respect the stated values.

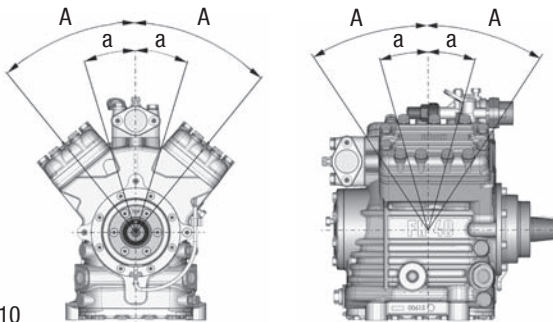


Fig. 10

A	max. 30°, max. 2 minutes
a	max. 15°, continuous operation

4| Compressor assembly

4.3 V-belt drive



ATTENTION! Inappropriately designed belt drives, especially belt knocking or excessive tensioning forces can cause compressor damage! Make sure that the drive belt is designed correctly, e.g. by using tensioners and selecting the belt profile and the belt length.

- During operation with capacity controllers (Accessories, Chap. 7), the changing load can cause increased running noises and belt drive vibrations.

4.4 Main bearing load

To prevent the belt drive overloading the compressor main bearing, ensure that:

- The force applied at the force engagement force by the belt tension (see Fig. 11) must not exceed $F_{max} = 2750$ N.
- If the force engagement point shifts forwards (see Fig.11, small point), the force F_{max} reduces as per the following formula:

$$F_{max} = \frac{245 \text{ kNm}}{(90 \text{ mm} + L_1 \text{ [mm]})}$$

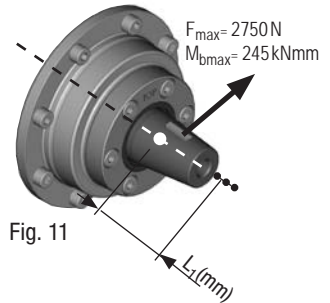


Fig. 11

4.5 Electromagnetic clutch assembly

The following description applies for an electromagnetic clutch secured to a shaft.

- To absorb the magnetic field of the electromagnetic clutch, the front bearing flange has a snug fit $\varnothing 148$ h8 (see Fig. 12).
- To connect the magnetic field, loosen the 4 cheese head screws M8 on the bearing flange (see Fig. 12).
- Slide the magnetic field to a snug fit and re-attach using the four cheese head screws M8 (Fig. 13). Screw torque = 34 Nm.
- Further assembly of the electromagnetic clutch according to the clutch manufacturer.

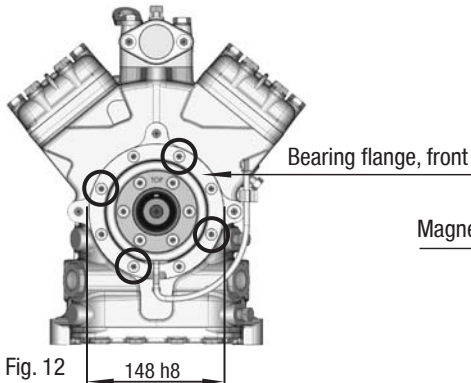


Fig. 12

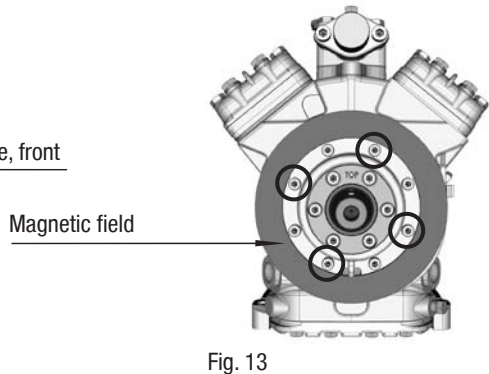


Fig. 13

4| Compressor assembly

4.6 Pipe connections

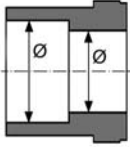


Fig. 14: Stepped internal diameters

- The **pipe connections** have stepped internal diameters so that pipes with standard millimetre and inch dimensions can be used.
- The connection diameters of the shut-off valves are designed for maximum compressor output. **The required pipe cross-section must be matched to the capacity. The same applies for non-return valves.**



ATTENTION! Overheating can damage the valve. Therefore, remove the pipe supports from the valve before soldering. Solder only using inert gas to inhibit oxidation products (scale).

- The required tightening torque for the flange connection is 60 Nm.

4.7 Pipes

- Pipes and system components must be clean and dry inside and free of scale, swarf and layers of rust and phosphate. Only use air-tight parts.
- Lay pipes correctly. Suitable vibration compensators must be provided to prevent pipes being cracked and broken by severe vibrations.
- Ensure a proper oil return.
- Keep pressure losses to an absolute minimum.

GB

4.8 Operating the shut-off valves

- Before opening or closing the shut-off valve, release the valve spindle seal by approx. $\frac{1}{4}$ of a turn counter-clockwise.
- After activating the shut-off valve, re-tighten the adjustable valve spindle seal clockwise.

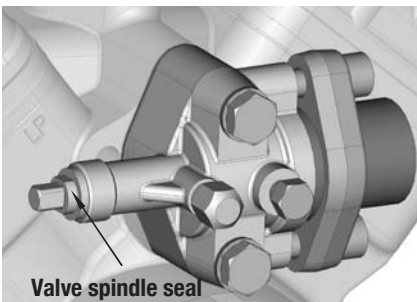


Fig. 15

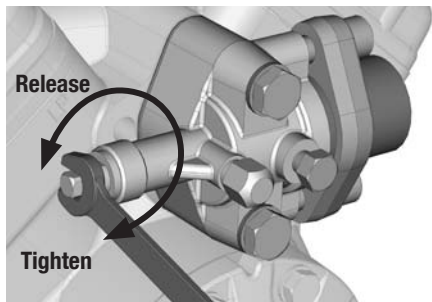


Fig. 16

4| Compressor assembly

4.9 Operating mode of the lockable service connections

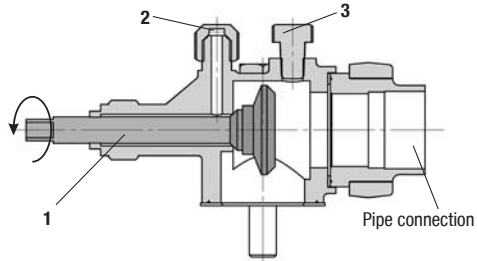


Fig. 17

Opening the shut-off valve:

- a) Spindle 1: turn to the left (counter-clockwise) as far as it will go.
—> Shut-off valve fully opened / service connection 2 closed.

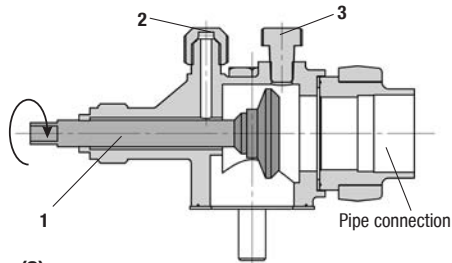


Fig. 18

Opening the service connection (2):

- b) Spindle 1: Turn $\frac{1}{2}$ - 1 rotation to the right.
—> Service connection 2 opened / shut-off valve opened.
Connection 3 is provided for safety devices and is not lockable.

5| Commissioning

5.1 Preparations for start-up



INFO!

To protect the compressor against inadmissible operating conditions, high-pressure and low-pressure pressostats are mandatory on the installation side.

The compressor has undergone trials in the factory and all functions have been tested. There are therefore no special running-in instructions.

Check the compressor for transport damage!

5.2 Pressure strength test



DANGER!

Bursting! The compressor must only be pressurised using nitrogen (N₂). Never pressurise with oxygen or other gases!

The maximum permissible overpressure of the compressor must not be exceeded at any time during the testing process (see name plate data)! Do not mix any refrigerant with the nitrogen as this could cause the ignition limit to shift into the critical range.

The compressor has been factory-tested for pressure resistance. The following must be observed if the entire plant is subjected to an additional pressure strength test:

- Test the refrigeration circuit according to EN 378-2 or a corresponding safety standard.

GB

5.3 Leak test



DANGER!

Bursting!

Do not mix any refrigerant with the nitrogen (N₂) as this could cause the ignition limit to shift into the critical range.

- Carry out the leak test of the refrigerating system in accordance with EN 378-2 or a corresponding safety standard **without including the compressor.**

5.4 Evacuation

- First evacuate the **system** and then include **the compressor in the evacuation process.**
- Relieve the compressor pressure.
- Open the suction and discharge line valves.
- Evacuate the suction and discharge pressure sides using the vacuum pump.
- At the end of the evacuation process, the vacuum should be < 1.5 mbar when the pump is switched off.
- Repeat the process as often as is required.

5| Commissioning

5.5 Refrigerant charge



CAUTION! Wear personal protective clothing such as goggles and protective gloves!



ATTENTION! ● Avoid overfilling the system with refrigerant!

- To avoid shifts in concentration, zeotropic refrigerant blends (e.g. R407C) must always be added to the refrigerating plant in liquid form.
- Do not pour liquid refrigerant through the suction line valve on the compressor.
- It is not permissible to mix additives with the oil and refrigerant.

- Make sure that the suction and discharge line valves are open.
- With the compressor switched off, add the liquid refrigerant directly to the condenser or receiver, breaking the vacuum.
- If the refrigerant needs topping up after starting the compressor, it can be topped up in vapour form on the suction side, or, taking suitable precautions, also in liquid form at the inlet to the evaporator.

GB

5.6 Oil level check

After starting, check the compressor's oil level.

- Drive motor in operating condition "High idle".
- Compressor run time min. 10 minutes.
- The system should have reached operating points.
- Check oil level. As the installation location of the compressor can differ in practice (inclinations), it is recommended that the oil level is checked in both sightglasses. The oil level must be visible in at least one sightglass.



ATTENTION! After a compressor is replaced, the oil level must be checked again. If the level is too high, oil must be drained off (risk of oil impact, reduced performance of the air-conditioning system).

5.7 Shaft seal



ATTENTION! Failure to observe the following instructions can cause loss of refrigerant and damage to the shaft seal!



- INFO!**
- The shaft seal seals and lubricates with oil. An oil leakage of 0.05 ml per operating hour is therefore normal. This applies particularly during the run-in phase (200 - 300 h).
 - To trap and collect leaked oil, the FK40 is fitted with an integrated leak oil trapping device with oil reservoir (P.6, Fig. 1).

5| Commissioning

The compressor shaft is sealed to outside using a shaft seal. The sealing element rotates with the shaft.

The following is especially important to ensuring fault-free operation:

- The complete refrigerant circuit must be correctly executed and clean inside.
- Heavy shocks and vibrations to the shaft as well as continuous cyclic operation are to be avoided.
- The sealing surfaces can stick together during prolonged downtimes (e.g. winter). Therefore, run the system every 4 weeks for 10 minutes.

5.8 Shaft seal, emptying the oil reservoir

As changing the shaft seal involves opening the refrigerant circuit, this is recommended only if the seal is losing refrigerant. Replacing the shaft seal is described in the spare part kit concerned.

Emptying the oil reservoir: The oil reservoir can be emptied very simple without having to dismantle the coupling and/or belt drive. It is recommended that this is done at the same time as the air-conditioning maintenance and motor service. To proceed, detach the oil hose from the bracket, remove the sealing plug and drain the oil into a collecting vessel. After emptying, reseal the oil hose and clamp it into the bracket. **Dispose of the used oil in accordance with national regulations.**

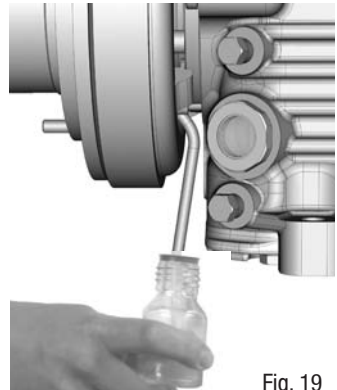


Fig. 19

GB

5.9 Avoiding liquid shocks



ATTENTION! Slugging can damage the compressor and cause refrigerant to leak.

To avoid liquid shocks, the following points should be observed:

- The complete refrigeration plant must be correctly designed and executed.
- The capacities of all components must be compatible (particularly evaporator and expansion valve).
- Suction gas superheating at the evaporator output should be at least 7 – 10 K (check setting of the expansion valve).
- The system must reach a state of equilibrium.
- Particularly in critical systems (e.g. several evaporator points), suitable measures, e.g. use of liquid traps, solenoid valve in the liquid line, etc. are recommended.

6 | Maintenance

6.1 Preparation



- WARNING!** Before starting any work on the compressor:
- Switch off the compressor and secure it to prevent a restart.
 - Relieve compressor of system pressure.
 - Prevent air from infiltrating the system!
- After maintenance has been performed:
- Connect safety switch.
 - Evacuate compressor.
 - Release switch lock.

6.2 Work to be carried out

- **Oil change:** In principle, an oil change is not mandatory if the system is correctly manufactured and operated. However, based on decades of experience we recommend that the following oil change/service work is carried out:
 - First oil change during the first maintenance of the vehicle.
 - Then after every 5,000 operating hours, though no more than 3 years, clean the oil strainer at the same time. If necessary, also empty the oil reservoir at the shaft seal.
- **Annual checks:** Oil level, tightness of the compressor, running noise, pressures, temperatures, function of auxiliary devices such as checking the capacity control.

GB

6.3 Recommended spare parts

FK40 / ...	390 N 470 N	560 N 655 N	390 K 470 K 560 K 655 K	390 TK 470 TK	560 TK 655 TK
Designation	Art.-Nr.	Art.-Nr.	Art.-Nr.	Art.-Nr.	Art.-Nr.
Set of gaskets	80230		80001	80230	
Valve plate kit	80240	80241	80010	80240	80241
Set of shaft seals	80023				
Oil SP 46, 1 Ltr.	02279				
Oil SE 55, 1 Ltr.	02282				

Only use genuine Bock spare parts!

6.4 Integrated decompression valve

The valve is maintenance free.

However, constant leakage can occur after blowing off due to abnormal operating conditions. This leads to reduced performance and increases the compressed gas temperature. In this case check the valve and replace as necessary.

6| Maintenance

6.5 Extract from the lubricants table

The oil type charged as standard in the factory is marked on the **name plate**. **This oil type should be used as a preference**. Alternatives are stated in the extract from our lubricants table below.

Refrigerant	Bock standard oil grade	Recommended alternatives
HFC (e.g. R134a, R407, R 404A)	Fuchs Reniso Triton SE 55 (see also chap. 6.3)	Fuchs SEZ 32/68/80 ICI Emkarate RL 46 S Mobil Arctic EAL 46 Shell Clavus R 46
HCFC (e.g. R22)	Fuchs Reniso SP 46 (see also chap. 6.3)	Mobil SHC 425 Shell Clavus SD 22-12 Sunoil Suniso 4GS Texaco Capella WF 46

6.6 Decommissioning

Close the shut-off valve on the compressor. Drain the refrigerant (it must not be discharged directly into the environment) and dispose of it according to the regulations. When the compressor is depressurised, undo the fastening screws of the shut-off valves. Remove the compressor using an appropriate hoist. Dispose of the oil inside in accordance with the valid national regulations.

7 | Accessories

7.1 Capacity regulation



ATTENTION! ● Capacity-regulated operation alters the gas speeds and pressure ratios of the refrigerating plant: Adjust the suction line routing and dimensioning accordingly, do not set the control intervals too close and do not let the system switch more than 12 times per hour (refrigerating plant must have reached a state of equilibrium). Continuous operation in the control stage is not recommended as the gas velocity in the plant system under certain circumstances does not guarantee sufficient oil return to the compressor with activated capacity regulator for a compressor speed below 1200 - 1500 rpm. We recommend switching to unregulated operation (100% capacity) for at least 5 minutes per capacity-regulated operating hour. An assured oil return can also be realised by a 100% capacity requirement after each compressor restart as otherwise the compressor can also be shut down in the regulated operating time by the thermostat.

- Electrical actuation of the solenoid valve: Normally open, (corresponds to 100 % compressor capacity).
- Cylinder covers for capacity regulation are marked with the designation "CR" (Capacity Regulator).

FK40 / N + TK	... K
Designation	Art.-Nr.	Art.-Nr.
Special accessory 12 V	08703	08708
Special accessory 24 V	08704	08709

For a description, see technical information "Capacity regulation" (Item No. 09900)

If the capacity regulator is factory-fitted, it is integrated into an extra, dedicated cylinder cover. For retrofits, it is supplied with the cylinder cover. The regulator closes one cylinder bank (capacity regulation approx. 50%).

7.2 Thermal protection thermostat (Item No. 07595)

A screw-in option is provided for the sensor element on the hot gas side of the compressor housing (see Chap. 9). Connect the thermal protection thermostat in series with the control line.

Technical Data:

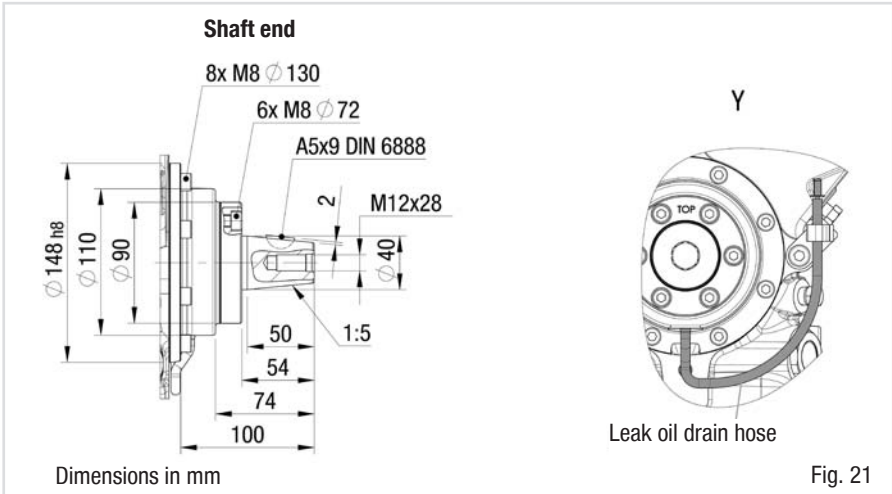
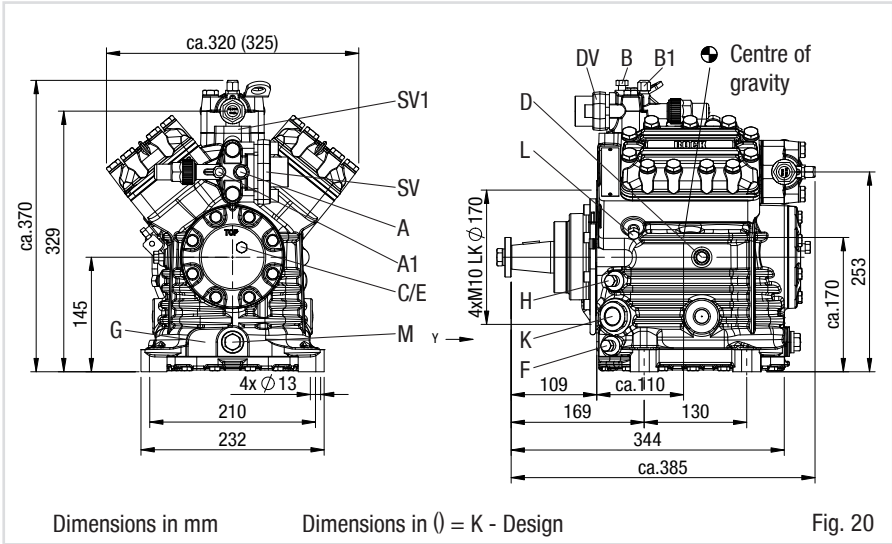
Switching voltage max. :	24 V DC
Switching current max. :	2.5 A at 24 V DC
Switch-off temperature :	145 °C ± 5 K
Switch-on temperature :	approx. 115 °C

8 | Technical data

Type	Nr. of Cyl.	Displacement cm ³	Swept volume (1450 rpm) m ³ /h	Weight kg	Connections		Oil charge Ltr.	Inertia moment of the driving unit [kgm ²]	Lubri- cation	Oil pump
					Discharge line DV mm / inch	Suction line SV mm / inch				
FK40/390	4	385	33.5	34.0	22 / 7/8	28 / 1 1/8	2.0	0.0043	Forced lubrication	Rotation- independent
FK40/470		466	40.5	33.0	28 / 1 1/8	35 / 1 3/8				
FK40/560		554	48.3	33.0	28 / 1 1/8	35 / 1 3/8				
FK40/655		650	56.6	31.0	35 / 1 3/8	35 / 1 3/8				

The technical data for the different designs K, N and TK are identical.
The compressor type data therefore do not mention these additions.

9| Dimensions and connections



GB

9| Dimensions and connections

SV	Suction line	see technical data, Chapter 8
DV	Discharge line	
A	Connection suction side, not lockable	1/8" NPTF
A1	Connection suction side, lockable	7/16" UNF
B	Connection discharge side, not lockable	1/8" NPTF
B1	Connection discharge side, lockable	7/16" UNF
C	Connection oil pressure safety switch OIL	1/8" NPTF
D	Connection oil pressure safety switch LP	1/8" NPTF
E	Connection oil pressure gauge	1/8" NPTF
F	Oil drain	1/4" NPTF
G	Opt. connection for oil sump heating	1)
H	Oil charge plug	1/4" NPTF
K	Sightglass	2 x 1 1/8"- 18 UNEF
L	Connection thermal protection thermostat	1/8" NPTF
M	Oil strainer	M22 x 1.5
SV1	Opt. connection for suction line valve	--

¹⁾ = No connection available as standard.

Available on request (Connection M22 x 1,5)

GB

10| Installation certificate

INSTALLATION CERTIFICATE

for using the compressors within the European Union
(in accordance with Machinery Directive 2006/42/EC)

The manufacturer: GEA Bock GmbH, Benzstraße 7
D-72636 Frickenhausen, Tel.: 07022/9454-0

hereby declares that the refrigerating compressor **FK40** conforms to the essential requirements
of Annex II 1B of the Machinery Directive 2006/42/EC.

The following harmonised standards have been applied:

EN ISO 12100-1

EN ISO 12100-2

EN 12693

EN 349

A partly completed machine may only be put into operation when it has been established
that the machine, into which the partly completed machine is to be installed, conforms to the
regulations of the Machinery Directive (2006/42/EC).

The manufacturer undertakes to transmit electronically the special documentation required
by individual states for partly completed machinery upon request.

The special technical documentation required for partly completed machinery has been created
in accordance with Annex VII Part B.

Person responsible for documentation is:
Wolfgang Sandkötter, Benzstraße 7, 72636 Frickenhausen.



ppa. Wolfgang Sandkötter,
Chief Development Officer

Frickenhausen, 01.11.2011

11| Service

Dear customer,

Bock compressors are top-quality, reliable and service-friendly quality products.

If you have any questions about installation, operation and accessories, please contact our technical service or specialist wholesaler and/or our representative. The Bock service team can be contacted by phone with a **toll-free hotline 00 800 / 800 000 88** or via **e-mail: bock@gea.com**.

Yours faithfully

GEA Bock GmbH
Benzstraße 7
72636 Frickenhausen
Germany

We also provide information on the Internet at **www.bock.de**.
For example, under the "Documentation" link you will find:

- Technical information
- Product information
- Product brochures
- and much more

GB

QUALITY SYSTEM



certified by DQS according to
DIN EN ISO 9001 Reg. No. 2177





Excellence

Passion

Integrity

Responsibility

GEA-versity

GEA Group is a global engineering company with multi-billion euro sales and operations in more than 50 countries. Founded in 1881, the company is one of the largest providers of innovative equipment and process technology. GEA Group is listed in the STOXX Europe 600 Index.



GEA Refrigeration Technologies

GEA Bock GmbH

Benzstraße 7, 72636 Frickenhausen, Germany
Telephone: +49 7022 9454-0, Fax: +49 7022 9454-137
bock@gea.com, www.bock.de