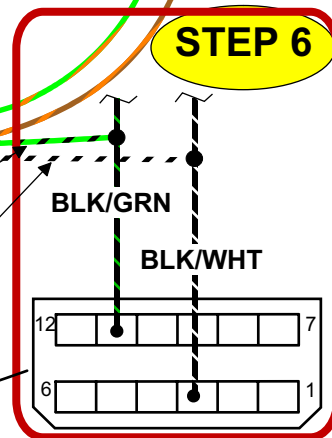
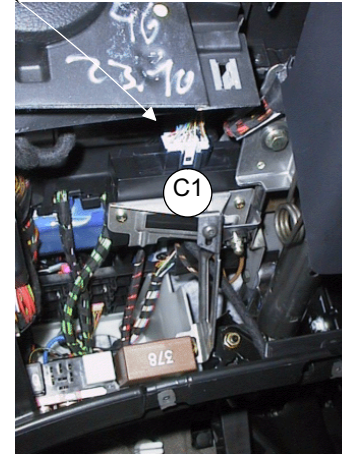
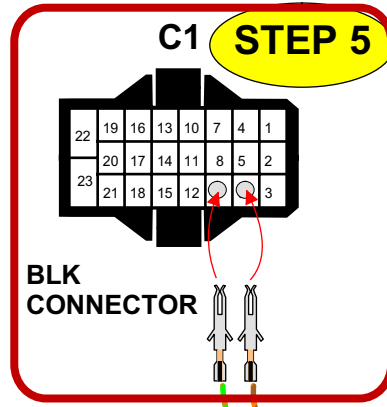
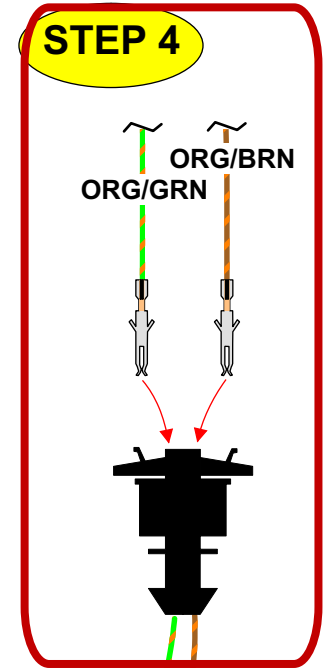
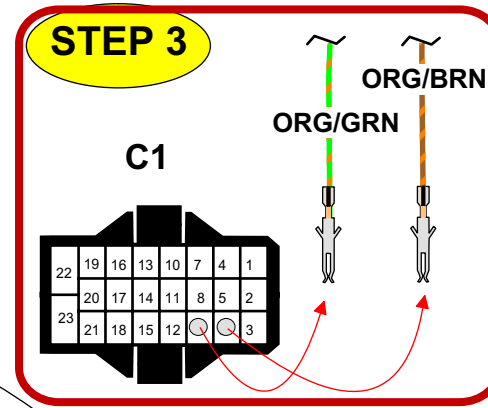
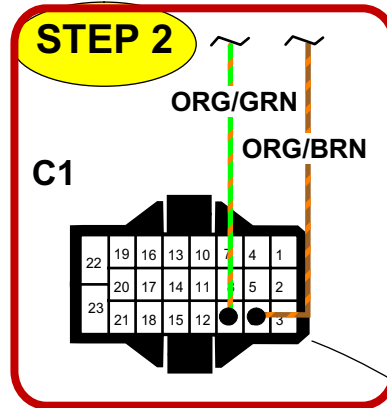
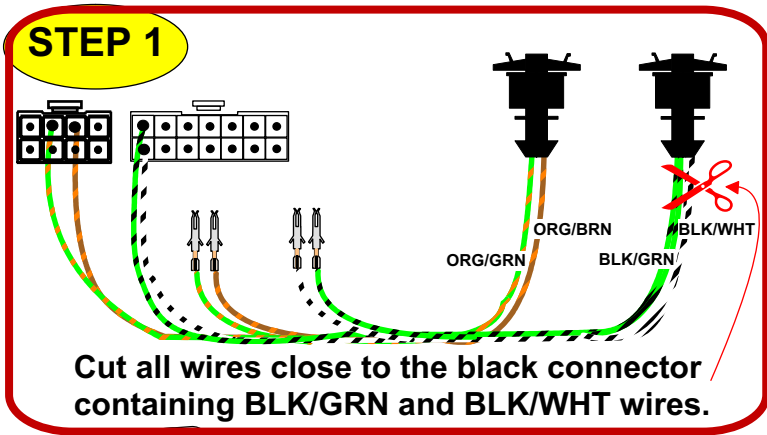


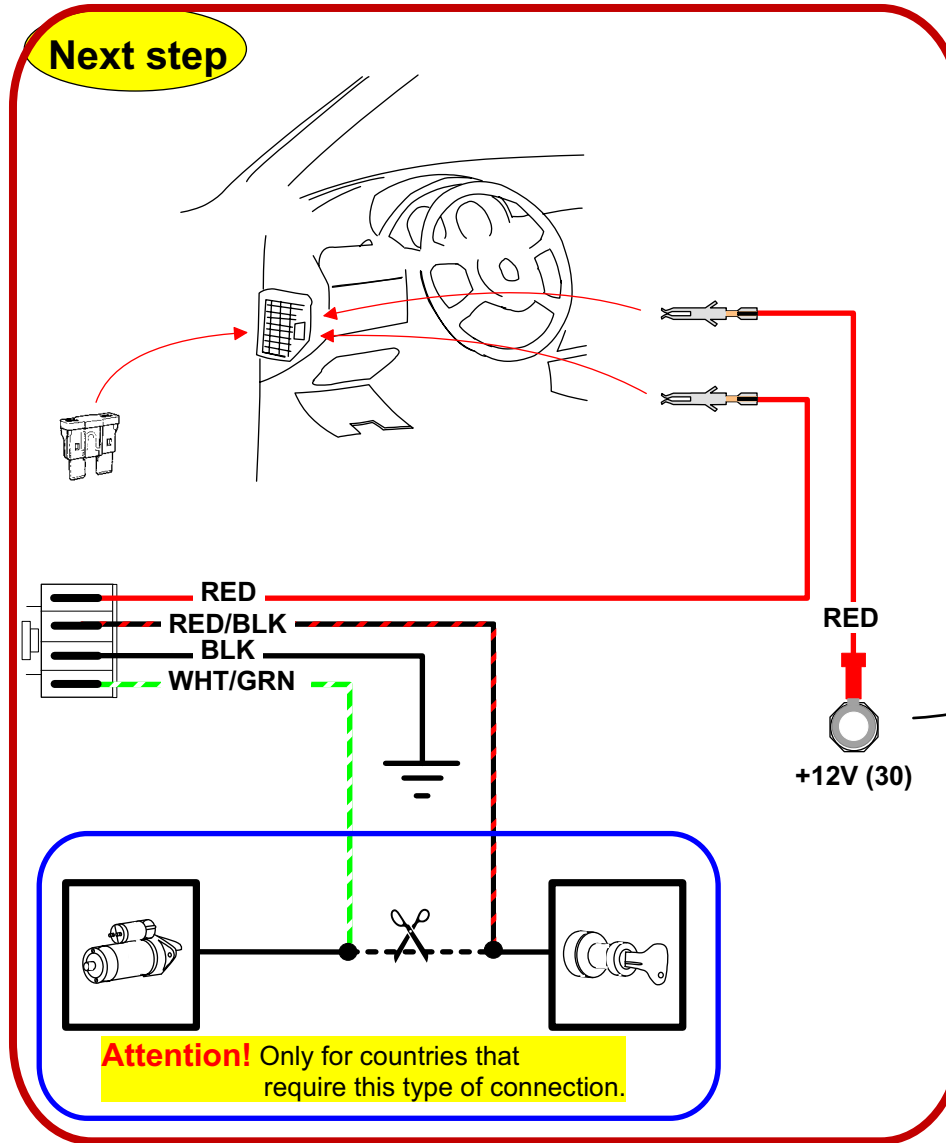
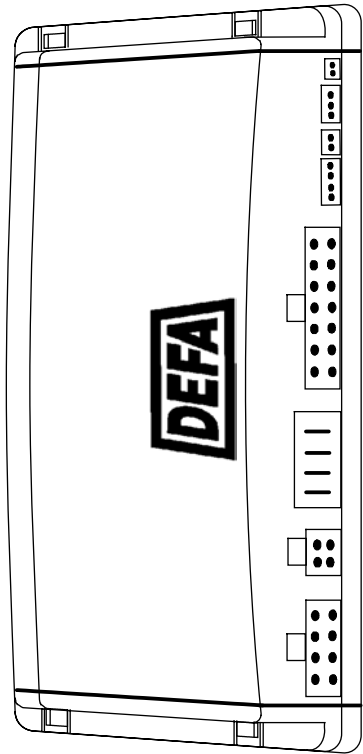
Attention!
If only C1 is located on the black box, skip this page.

Attention ! This installation diagram must only be used as a guideline for the installation. Equipment delivered with the car varies considerably from model to model and from market to market. Before starting the installation, be sure to check carefully the original diagram from the car manufacturer. DEFA A.S is not liable to compensate for possible damages that may occur due to faulty or insufficient installation manuals.

Date : 03. 04. 23.
Rev : A
Page: 1 of 6.



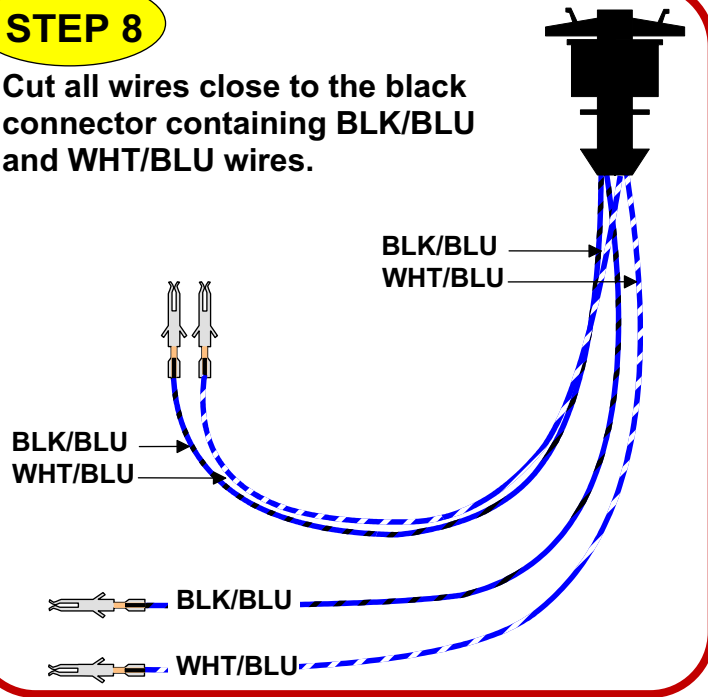
Attention!
If both C1 and C2 are located on the black box, skip this page.



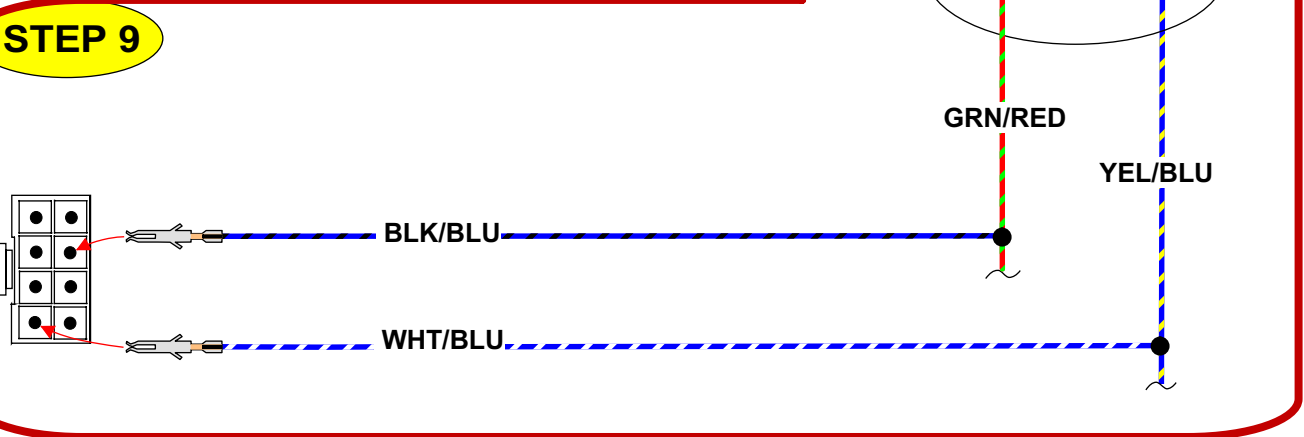
Attention! Only when using the DEFA remote control the connections on this page are needed.

STEP 8

Cut all wires close to the black connector containing BLK/BLU and WHT/BLU wires.



STEP 9



STEP 10

Attention!
Connect CAN wires before Trunk and Hood switch. If Trunk and Hood are responding via CAN, the connections on this page are NOT needed.

