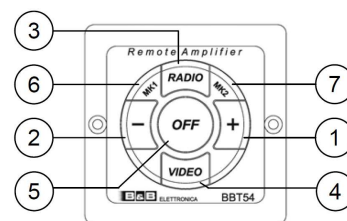
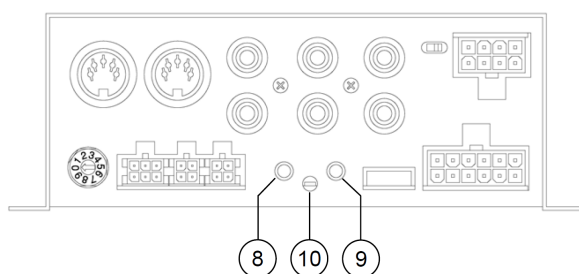


**DIGITAL STEREO AMPLIFIER**

<b>1</b>	+	volume +
<b>2</b>	-	volume -
<b>3</b>	RADIO	select radio + power-on for amplifier
<b>4</b>	VIDEO	select radio + power-on for amplifier
<b>5</b>	OFF	amplifier off
<b>6</b>	MK1	microphone 1 operating light
<b>7</b>	MK2	microphone 2 operating light
<b>8</b>	GAIN -	reduce gain
<b>9</b>	GAIN +	increase gain
<b>10</b>	LED	LED light

**Index**

- 1 Technical specifications**
- 2 Operating without the keypad**
  - 2.1 Power-on and off
  - 2.2 Inputs / Functionality
- 3 Operating with the keypad**
  - 3.1 Power-on and off
  - 3.2 Inputs / Functionality
- 4 Connections**
- 5 Diagrams of connection**

Date: 15/07/2011

Page 1 / 9

Molpir s.r.o. sídlo: SNP 129, 919 04 Smolenice; prevádzka: Hrachová 30, 821 05 Bratislava, Slovenská republika, Tel.: 00421 2 4319 1219, Fax: 00421 2 4319 1220, e-mail: obchod@molpir.com, www.molpir.com, www.shop.molpir.com

IČO: 31431372, IČP: SK 2020391560, Tatra banka Bratislava, č. ú.: 2628020575/1100, register: OS Trnava, odd: Sro, vlož.: 1045/T

MOLPIR GROUP CZ a.s., Technologická 838/14, 779 00 Olomouc, Holice, Česká republika, Tel.: 00420 585 315 017, Fax: 00420 585 315 021, e-mail: molpir\_o@molpir.cz, www.molpir.cz

MOLPIR GROUP CZ a.s., Business centrum Klamovka, Plzeňská 155/113, 150 00 Praha 5 – Košíře, Tel.: 00420 724 606 000, e-mail: jsvoboda@molpir.cz, www.molpir.cz

IČO: 25828843, DIČ: CZ25828843, ČSOB Olomouc, č. ú.: 377913723/0300, Registrace: KOS, OR Ostrava, oddíl B, vložka č. 2094



## General Features

A new concept Digital Stereo Amplifier for vehicles, with significant technological innovations. All functions are controlled by a micro-controller. Audio inputs (Radio-Video) and volume control. It may be connected to any model/brand of Radio-Tape/CD player, which it also supplies power voltage to. Power-on for video system.

Two microphone inputs with independent volume control and priority over all other sources. RS485 dual serial port (interfaceable with CAN systems) to integrate into the vehicle devices and to dialogue with different B&B devices. Can be cascadelinked to more amplifiers to create different listening zones. Compact, versatile and easy to install. Works independently, connected to other (B&B) amplifiers or with the (BBT54) appropriate command keypad which enables direct source selection and volume adjustment. Its small size means it fits easily into any part of the vehicle.

## Caution

It is recommended to carefully read through the instructions, prior to setting this device in operation; a thorough understanding of the basics means an easier utilization of this device.

Please, follow the instructions to carry out the "BBA54" amplifier connections:

chapter 4 CONNECTIONS

chapter 5 DIAGRAMS OF CONNECTION

## 2 Operating the BBA54 and BBA54-12 without the keypad

When power is supplied the amplifier (**BBA54** or **BBA54-12**) goes into standby mode and supplies power to the connected radio (Radio-Tape/CD). By supplying voltage to the REM-RADIO (switching on the radio) or REM-VIDEO (switching on the video system) or activating the microphones (MK1-MK2), the amplifier switches on. It is possible to adjust the gain of each active source individually. Adjustments remain in the memory even when the supply voltage is switched off. The REM-VIDEO has priority over the REM-RADIO, MK1 and MK2 have precedence over both of them and MK1 has priority over MK2. In the absence of these commands, the amplifier returns to standby.

### 2.1 Power-on and off

REM-RADIO (switching on the radio), REM-VIDEO (switching on the video system) or with MIKE1/MIKE2 being active, the amplifier is switched on. In the absence of these commands, standby mode is restored.

### 2.2 Inputs/Functionality

RADIO: input for Radio -Tape/CD

On switching on, the radio (Radio-Tape/CD) supplies voltage (REM-RADIO) to contact no. 2 of the "RADIO PW" connector of the determining amplifier: source on and source selection.

VIDEO: input for video system audio

Voltage (REM-VIDEO) supplied to contact no.10 of the "POWER" connector determines: switching on monitors, amplifier and source selection. The VIDEO input has priority over the RADIO.

Mikes: The amplifier is provided with two mike inputs (MK1-MK2) with priority over all other sources, mikes are switched on with their own switch, and are not dependent from the amplifier status (on or off).



Date: 15/07/2011

Page 2 / 9

Molpir s.r.o. sídlo: SNP 129, 919 04 Smolenice; prevádzka: Hrachová 30, 821 05 Bratislava, Slovenská republika, Tel.: 00421 2 4319 1219, Fax: 00421 2 4319 1220, e-mail: obchod@molpir.com, www.molpir.com, www.shop.molpir.com

IČO: 31431372, IČpD: SK 2020391560, Tatra banka Bratislava, č. ú.: 2628020575/1100, register: OS Trnava, odd: Sro, vlož.: 1045/T

MOLPIR GROUP CZ a.s., Technologická 838/14, 779 00 Olomouc, Holice, Česká republika, Tel.: 00420 585 315 017, Fax: 00420 585 315 021, e-mail: molpir\_o@molpir.cz, www.molpir.cz

MOLPIR GROUP CZ a.s., Business centrum Klamovka, Plzeňská 155/113, 150 00 Praha 5 – Košíře, Tel.: 00420 724 606 000, e-mail: jsvoboda@molpir.cz, www.molpir.cz

IČO: 25828843, DIČ: CZ25828843, ČSOB Olomouc, č. ú.: 377913723/0300, Registrace: KOS, OR Ostrava, oddíl B, vložka č. 2094

ISO 9001

NU\_BBA54\_001\_15072011\_EN

Gain adjustment: Volume adjustment (in this configuration) depends on the sources connected to the amplifier. However, it is possible to set the desired gain for each active source, by using the (gain + or gain -) buttons on the amplifier. The red LED flashes during the adjustment phase. The gain values set remain in the memory even if the power is removed from the amplifier.

RS485 Serial: The RS485 dual serial port (MODBUS-RTU protocol) allows the amplifier (master) to dialogue with all B&B devices and with any other systems in existence. The peripheral units (slaves) identification is determined by the position of the decimal uniselector on board all B&B equipment.

Just assign a number (1÷7) to each **slave**. Please, note that the number "0" is assigned to the **master**.

### 3 Operating the BBA54 and BBA54-12 with the keypad

When power is supplied the amplifier (**BBA54** or **BBA54-12**) goes into standby mode and supplies power to the connected radio (Radio-Tape/CD). By pressing the relevant button for the required source (RADIO or VIDEO) or by activating the microphones (MK1 or MK2), the amplifier is switched on (MK1 has priority over MK2). In this mode it is possible to adjust the volume of each active source individually. Adjustments remain in the memory even when the supply voltage is switched off. To turn off the amplifier, press the OFF button, which restores it to standby mode.

#### 3.1 Power-on and off

Select: Radio or Video to power-on the amplifier. The corresponding key will change color from **green** to **red**, the OFF esc one will change from **red** to **green**. Press the OFF key to power-off the amplifier.

#### 3.2 Inputs/Functionality

RADIO: input for Radio-Tape/CD.

The amplifier supplies power to the connected radio. Volume control is effected by pressing the buttons + or -, and remains in the memory even if even if the power is removed from the amplifier.

VIDEO: input for video system audio.

The amplifier controls the on/off switch of the monitors. Volume control is effected by pressing the buttons + or -, and remains in the memory even if even if the power is removed from the amplifier.

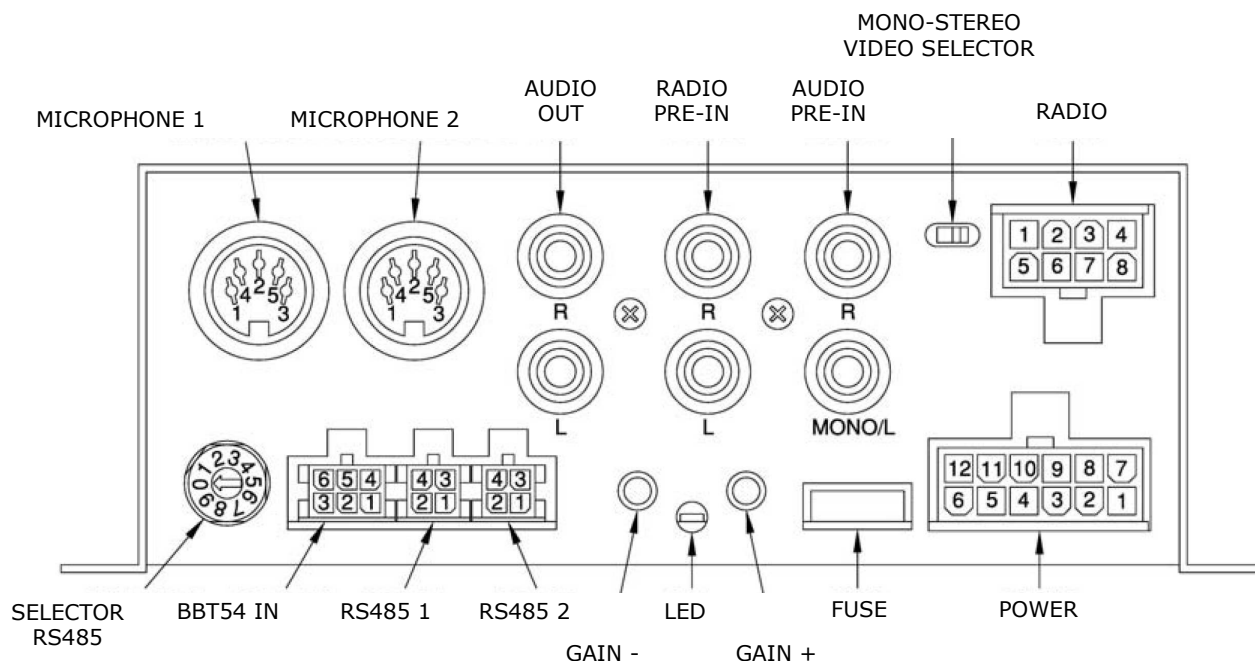
Mikes: The amplifier is provided with two mike inputs (MK1-MK2) with priority over all other sources, mikes are switched on with their own switch, and are not dependent from the amplifier status (on or off). Volume control is effected by pressing the buttons + or -, and remains in the memory even if even if the power is removed from the amplifier.

RS485 Serial: The RS485 dual serial port (MODBUS-RTU protocol) allows the amplifier (master) to dialogue with all B&B devices and with any other systems in existence. The peripheral units (slaves) identification is determined by the position of the decimal uniselector on board all B&B equipment.

Just assign a number (1÷7) to each **slave**. Please, note that the number "0" is assigned to the **master**.



## 4 CONNECTIONS



MICROPHONE 1-2		RS485 1-2		RADIO		POWER	
1	MICROPHONE +	1	GND	1	GND	1	LOUDSPEAKER L+
4	MICROPHONE -	2	GND	2	REM-IN RADIO	2	LOUDSPEAKER L-
2	SWITCH	3	B	3	LOUDSPEAKER-IN L-	7	LOUDSPEAKER R+
5	SWITCH	4	A	4	LOUDSPEAKER-IN R-	8	LOUDSPEAKER R-
3	NC			5	+12V OUT (+30) PERMANENT	3	VIDEO ON SWITCH
				6	+12V OUT (+15) IGNITION KEY	9	VIDEO ON SWITCH
				7	LOUDSPEAKER-IN L+		
				8	LOUDSPEAKER-IN R+		
						4	REM-OUT
						10	REM-IN VIDEO
						5	+VDC IN (+30) PERMANENT
						11	+VDC IN (+15) IGNITION KEY
						6	GND
						12	GND



Date: 15/07/2011

Page 4 / 9

Molpir s.r.o. sídlo: SNP 129, 919 04 Smolenice; prevádzka: Hrachová 30, 821 05 Bratislava, Slovenská republika, Tel.: 00421 2 4319 1219, Fax: 00421 2 4319 1220, e-mail: obchod@molpir.com, www.molpir.com, www.shop.molpir.com

IČO: 31431372, IČpD: SK 2020391560, Tatra banka Bratislava, č. ú.: 2628020575/1100, register: OS Trnava, odd: Sro, vlož.: 1045/T

MOLPIR GROUP CZ a.s., Technologická 838/14, 779 00 Olomouc, Holice, Česká republika, Tel.: 00420 585 315 017, Fax: 00420 585 315 021, e-mail: molpir\_o@molpir.cz, www.molpir.cz

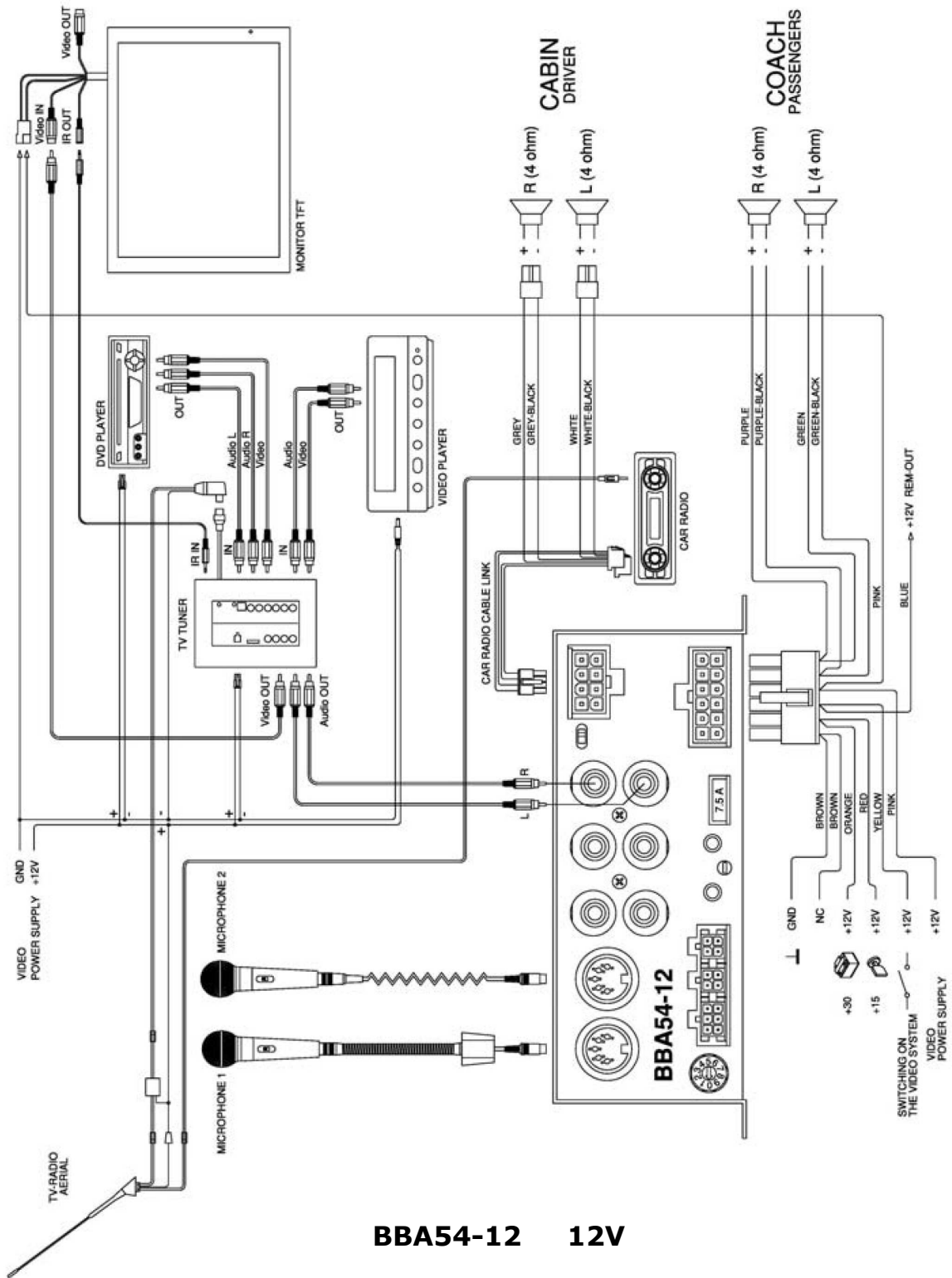
MOLPIR GROUP CZ a.s., Business centrum Klamovka, Plzeňská 155/113, 150 00 Praha 5 – Košife, Tel.: 00420 724 606 000, e-mail: jsvoboda@molpir.cz, www.molpir.cz

IČO: 25828843, DIČ: CZ25828843, ČSOB Olomouc, č. ú.: 377913723/0300, Registrace: KOS, OR Ostrava, oddíl B, vložka č. 2094

ISO 9001

NU\_BBA54\_001\_15072011\_EN

## 5 DIAGRAMS OF CONNECTION



Date: 15/07/2011

Page 5 / 9

Molpir s.r.o. sídlo: SNP 129, 919 04 Smolenice; prevádzka: Hrachová 30, 821 05 Bratislava, Slovenská republika, Tel.: 00421 2 4319 1219, Fax: 00421 2 4319 1220, e-mail: obchod@molpir.com, www.molpir.com, www.shop.molpir.com

IČO: 31431372, IČpD: SK 2020391560, Tatra banka Bratislava, č. ú.: 2628020575/1100, register: OS Trnava, odd: Sro, vlož.: 1045/T

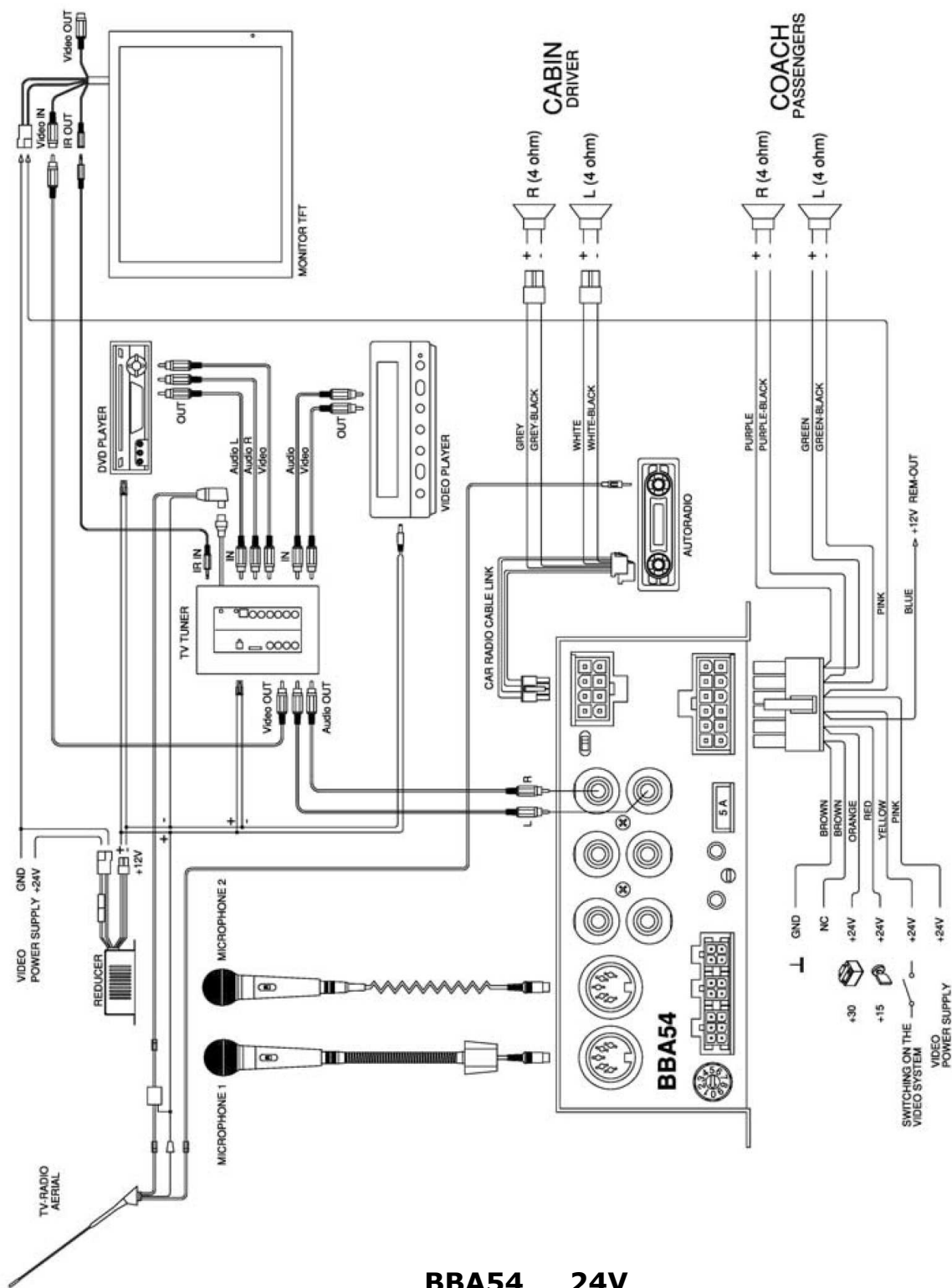
MOLPIR GROUP CZ a.s., Technologiá 838/14, 779 00 Olomouc, Holice, Česká republika, Tel.: 00420 585 315 017, Fax: 00420 585 315 021, e-mail: molpir\_o@molpir.cz, www.molpir.cz

MOLPIR GROUP CZ a.s., Business centrum Klamovka, Plzeňská 155/113, 150 00 Praha 5 – Košíře, Tel.: 00420 724 606 000, e-mail: jsvoboda@molpir.cz, www.molpir.cz

IČO: 25828843, DIČ: CZ25828843, ČSOB Olomouc, č. ú.: 377913723/0300, Registrace: KOS, OR Ostrava, oddíl B, vložka č. 2094

ISO 9001

NU\_BBA54\_001\_15072011\_EN



## BBA54 24V



Date: 15/07/2011

Page 6 / 9

Molpir s.r.o. sídlo: SNP 129, 919 04 Smolenice; prevádzka: Hrachová 30, 821 05 Bratislava, Slovenská republika, Tel.: 00421 2 4319 1219, Fax: 00421 2 4319 1220, e-mail: obchod@molpir.com, www.molpir.com, www.shop.molpir.com

IČO: 31431372, IČP: SK 2020391560, Tatra banka Bratislava, č. ú.: 2628020575/1100, register: OS Trnava, odd: Sro, vlož.: 1045/T

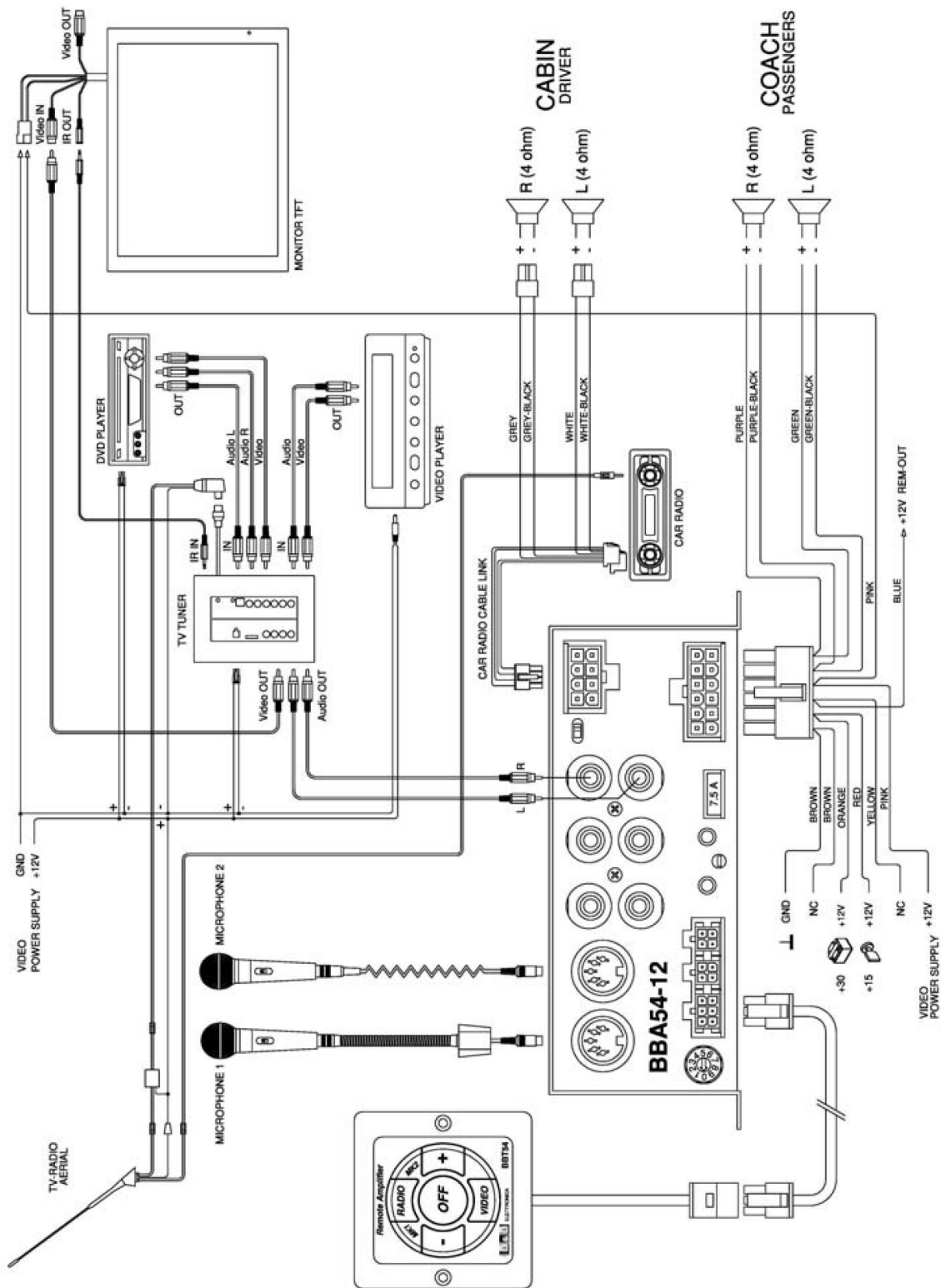
MOLPIR GROUP CZ a.s., Technologická 838/14, 779 00 Olomouc, Holice, Česká republika, Tel.: 00420 585 315 017, Fax: 00420 585 315 021, e-mail: molpir\_o@molpir.cz, www.molpir.cz

MOLPIR GROUP CZ a.s., Business centrum Klamovka, Plzeňská 155/113, 150 00 Praha 5 – Košíře, Tel.: 00420 724 606 000, e-mail: jsvoboda@molpir.cz, www.molpir.cz

IČO: 25828843, DIČ: CZ25828843, ČSOB Olomouc, č. ú.: 377913723/0300, Registrace: KOS, OR Ostrava, oddíl B, vložka č. 2094

ISO 9001

NU\_BBA54\_001\_15072011\_EN



## BBA54-12 12V + BBT54



Date: 15/07/2011

Page 7 / 9

Molpir s.r.o. sídlo: SNP 129, 919 04 Smolenice; prevádzka: Hrachová 30, 821 05 Bratislava, Slovenská republika, Tel.: 00421 2 4319 1219, Fax: 00421 2 4319 1220, e-mail: obchod@molpir.com, www.molpir.com, www.shop.molpir.com

IČO: 31431372, IČpD: SK 2020391560, Tatra banka Bratislava, č. ú.: 2628020575/1100, register: OS Trnava, odd: Sro, vlož.: 1045/T

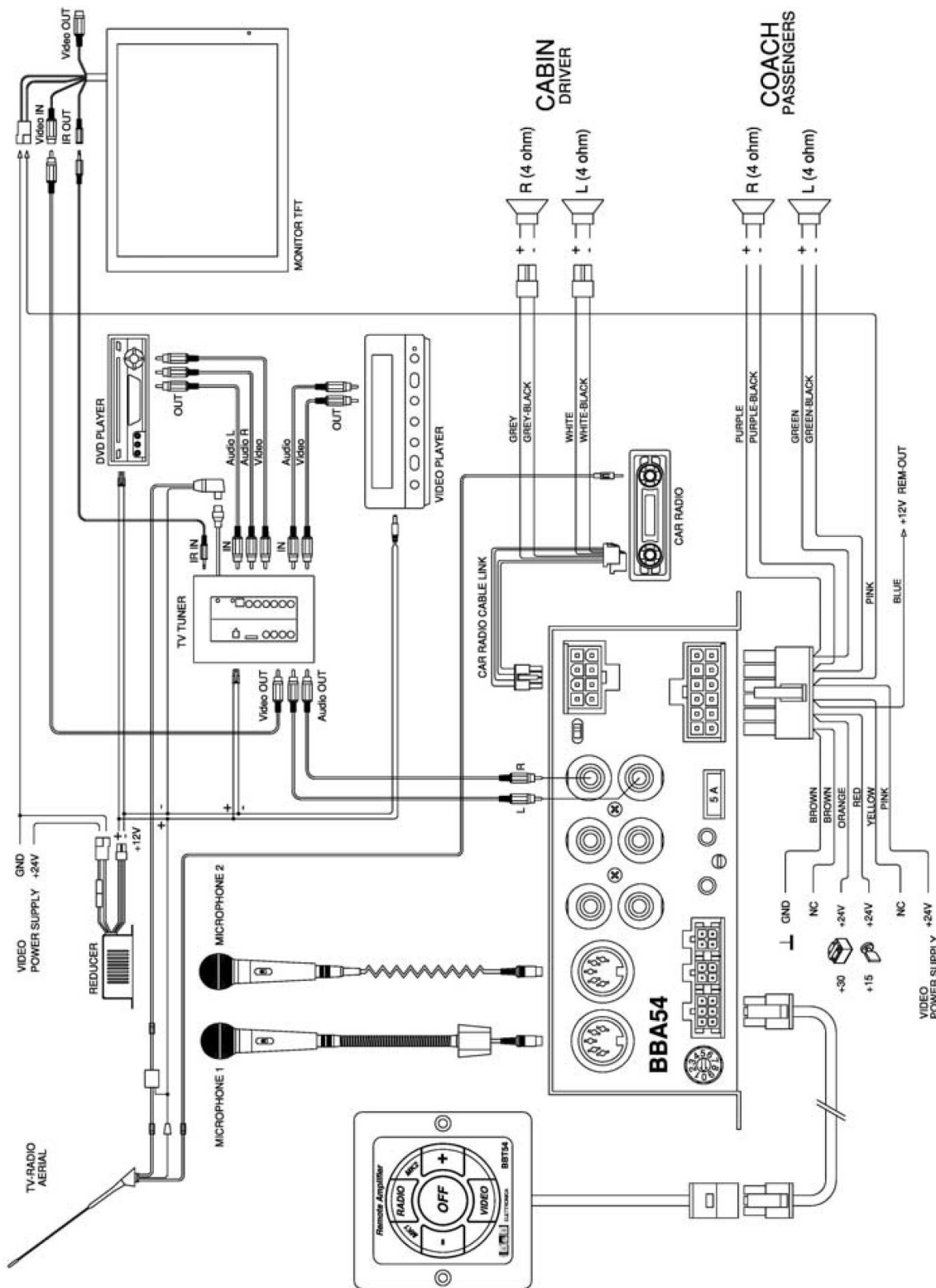
MOLPIR GROUP CZ a.s., Technologická 838/14, 779 00 Olomouc, Holice, Česká republika, Tel.: 00420 585 315 017, Fax: 00420 585 315 021, e-mail: molpir\_o@molpir.cz, www.molpir.cz

MOLPIR GROUP CZ a.s., Business centrum Klamovka, Plzeňská 155/113, 150 00 Praha 5 – Košíře, Tel.: 00420 724 606 000, e-mail: jsvoboda@molpir.cz, www.molpir.cz

IČO: 25828843, DIČ: CZ25828843, ČSOB Olomouc, č. ú.: 377913723/0300, Registrace: KOS, OR Ostrava, oddíl B, vložka č. 2094

ISO 9001

NU\_BBA54\_001\_15072011\_EN



## BBA54 24V + BBT54



Date: 15/07/2011

Page 8 / 9

Molpir s.r.o. sídlo: SNP 129, 919 04 Smolenice; prevádzka: Hrachová 30, 821 05 Bratislava, Slovenská republika, Tel.: 00421 2 4319 1219, Fax: 00421 2 4319 1220, e-mail: obchod@molpir.com, www.molpir.com, www.shop.molpir.com

IČO: 31431372, IČP: SK 2020391560, Tatra banka Bratislava, č. ú.: 2628020575/1100, register: OS Trnava, odd: Sro, vlož.: 1045/T

MOLPIR GROUP CZ a.s., Technologická 838/14, 779 00 Olomouc, Holice, Česká republika, Tel.: 00420 585 315 017, Fax: 00420 585 315 021, e-mail: molpir\_o@molpir.cz, www.molpir.cz

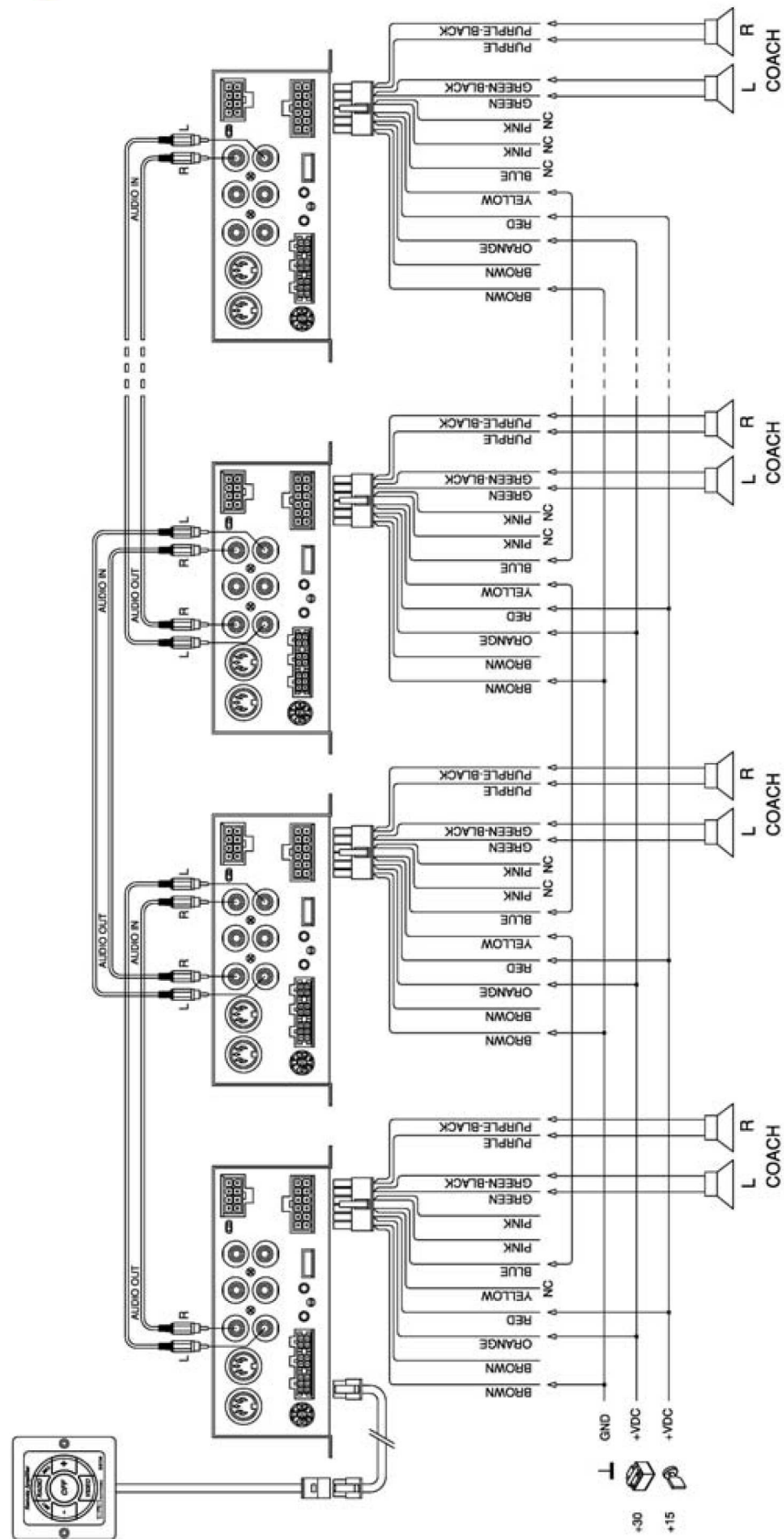
MOLPIR GROUP CZ a.s., Business centrum Klamovka, Plzeňská 155/113, 150 00 Praha 5 – Košíře, Tel.: 00420 724 606 000, e-mail: jsvoboda@molpir.cz, www.molpir.cz

IČO: 25828843, DIČ: CZ25828843, ČSOB Olomouc, č. ú.: 377913723/0300, Registrace: KOS, OR Ostrava, oddíl B, vložka č. 2094

ISO 9001

NU\_BBA54\_001\_15072011\_EN





Date: 15/07/2011

Page 9 / 9

Molpir s.r.o. sídlo: SNP 129, 919 04 Smolenice; prevádzka: Hrachová 30, 821 05 Bratislava, Slovenská republika, Tel.: 00421 2 4319 1219, Fax: 00421 2 4319 1220, e-mail: obchod@molpir.com, www.molpir.com, www.shop.molpir.com

IČO: 31431372, IČpD: SK 2020391560, Tatra banka Bratislava, č. ú.: 2628020575/1100, register: OS Trnava, odd: Sro, vlož.: 1045/T

MOLPIR GROUP CZ a.s., Technologická 838/14, 779 00 Olomouc, Holice, Česká republika, Tel.: 00420 585 315 017, Fax: 00420 585 315 021, e-mail: molpir\_o@molpir.cz, www.molpir.cz

MOLPIR GROUP CZ a.s., Business centrum Klamovka, Plzeňská 155/113, 150 00 Praha 5 – Košiče, Tel.: 00420 724 606 000, e-mail: jsvoboda@molpir.cz, www.molpir.cz

IČO: 25828843, DIČ: CZ25828843, ČSOB Olomouc, č. ú.: 377913723/0300, Registrace: KOS, OR Ostrava, oddíl B, vložka č. 2094